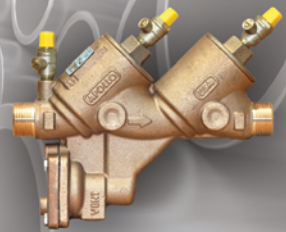


# BACKFLOW PREVENTION CATALOGUE

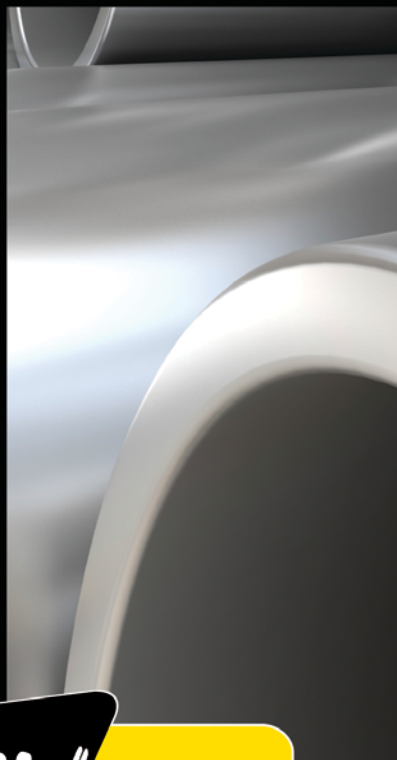
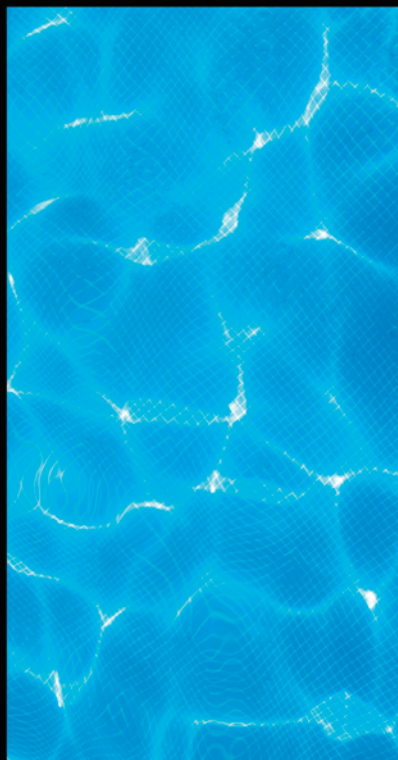


**FIRE**

**WATERWORKS**

**IRRIGATION**

**PLUMBING**



DISTRIBUTED BY  
**ALL VALVE INDUSTRIES**

Ph: 02 8543 9811    sales@allvalve.com.au  
Fax: 02 8543 9822    www.allvalve.com.au







# "Apollo" Valves

manufactured in the USA  
by CONBRACO Industries

## A history of Quality, Service and Innovation

Now in its ninth decade, Conbraco Industries, Inc. is a leading manufacturer of flow control products for U.S. and international markets. The company's headquarters is based in Matthews, North Carolina with manufacturing plants and foundries located in Pageland and Conway, South Carolina.

Conbraco has a history of new product development and innovation that dates back to the company's inception in 1928. Today, the Conbraco line of products is marketed under the "Apollo Valves" brand.

Conbraco's vertically integrated manufacturing ensures a consistency of production, testing, quality and availability. You can be assured that Conbraco flow control products will deliver long term reliability. All Conbraco plants are registered to ISO 9001:2008 quality standards.

The Conbraco line continues to expand with new products, designs and advanced materials to better serve the needs of our customers. Markets served include: chemical processing, pulp and paper, petroleum, residential and commercial plumbing and heating, OEM, irrigation, water works, and fire protection.



**PAGELAND, SC**  
Bronze Foundry and Manufacturing Plant




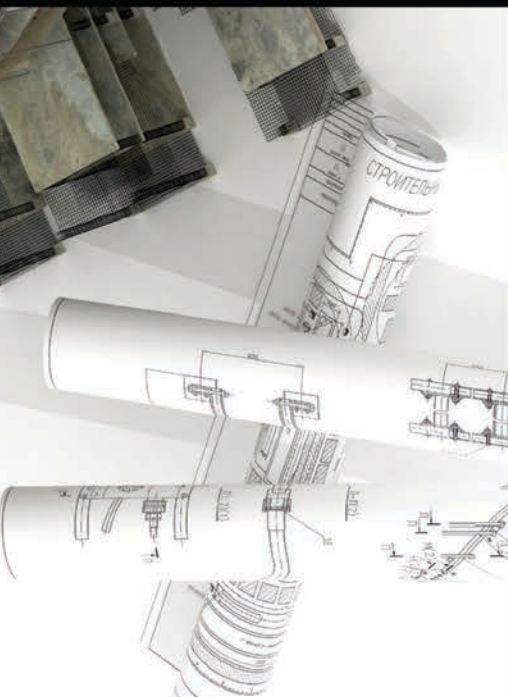
**PAGELAND, SC**  
Final Assembly and Distribution Center



**CONWAY, SC**  
Steel Foundry and Manufacturing Plant



**MATTHEWS, NC**  
Corporate Headquarters



**3D CAD DRAWINGS**

available formats:  
**dwg, rfa, pdf**

www.allvalve.com.au

### PRODUCT APPROVALS

Conbraco Apollo backflow valves are Australian Standards approved to AS2845.1:2010 (Water supply - Mechanical backflow prevention devices)



# BACKFLOW PREVENTION CATALOGUE

## Table of Contents

	CODE	SIZE	PAGE
Double Check Valve	4A-100	20mm - 50mm	4
Reduced Pressure Zone Device	4A-200	15mm - 50mm	5
Double Check Valve Flanged	4AE-100	65mm - 250mm	6
Reduced Pressure Zone Device Flanged	4AE-200	65mm - 250mm	7
Double Detector Check Valve	4AE-600	65mm - 250mm	8
Dual Check Valve	40-300	15mm - 25mm	9
Accessories (Backflow Kits, Seat Removal Tool)			10
Air Gap Drain	AGD	15mm - 50mm	11
4A Series DCV Repair Kits	4A-100	20mm - 50mm	12
4A Series RPZ Repair Kits	4A-200	15mm - 50mm	13
4AE Series DCV Repair Kits Flanged	4AE-100	65mm - 250mm	14
4AE Series RPZ Repair Kits Flanged	4AE-200	65mm - 250mm	16
40 Series DCV Repair Kits	40-100	20mm - 50mm	18
40 Series RPZ Repair Kits	40-200	15mm - 50mm	19
40 Series DCV Flanged Repair Kits	40-100	65mm - 250mm	20
40 Series RPZ Flanged Repair Kits	40-200	65mm - 250mm	21
Warranty and limitations of Liability			22

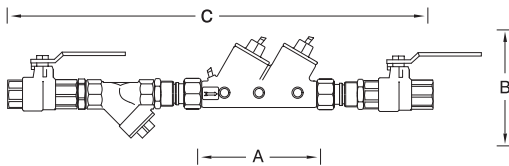
# BACKFLOW PREVENTION CATALOGUE

## Double Check Valve Backflow Preventers

### 4A-100 SERIES



Sizes 20mm - 50mm



### TOP ENTRY DOUBLE CHECK VALVE ASSEMBLY

The Apollo Series 4A-100 Double Check Valves are designed to prevent contamination of the potable water supply due to back-siphonage or backpressure from substances that are objectionable, but non-health hazards. The modular check valve captured spring cartridges have replaceable seats and reversible silicone seat discs.

### OPERATION

During normal flow conditions, the two check valves are held off their seats, supplying water downstream. Each check valve is designed to maintain a minimum of 7 kPa across the valve during normal operation. Should the downstream pressure increase to within 7 kPa of supply pressure, both check valves will close to prevent a backflow condition.

### FEATURES

- Low pressure loss
- Modular check valve cartridges with easily replaced parts
- Top access for fast testing and easy maintenance
- Testcock protectors
- Corrosion resistant
- No special tools required
- 5 year, domestic warranty
- AS2845.1 approved
- Horizontal or vertical installation
- Maximum working pressure 1,200kPa
- Temperature range 1°C - 85°C
- Designed, manufactured, assembled and tested in South Carolina, USA

### DIMENSIONS

Valve Code.	4A 104 T	4A 105 T	4A 106 T	4A 107 T	4A 108 T
Complete Code*	4A114T2	4A115T2	4A116T2	4A117T2	4A118T2
Size	20 mm.	25mm.	32 mm.	40 mm.	50 mm.
A (DCV device length)	216	241	298	298	324
B (Height)	139	170	184	195	235
C (Overall assembly length)	490	570	680	720	820
Width of assembly	65	70	82	82	92
WEIGHTS	kg.	kg.	kg.	kg.	kg.
Net Wt. (Device Only)	1.7	2.2	3.6	3.6	5.2

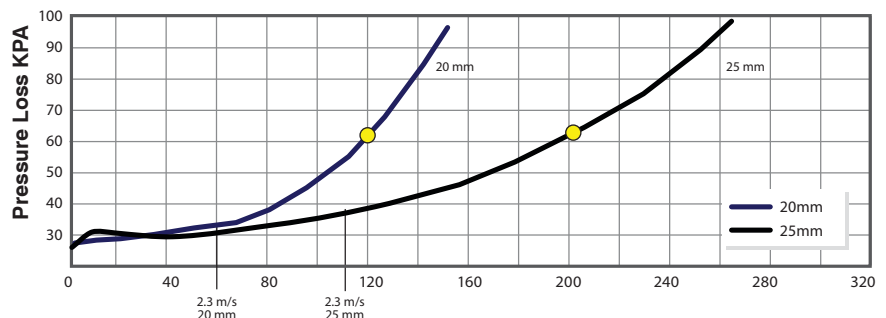
\*Complete with ball valves, strainer, unions and nipple

### MATERIALS

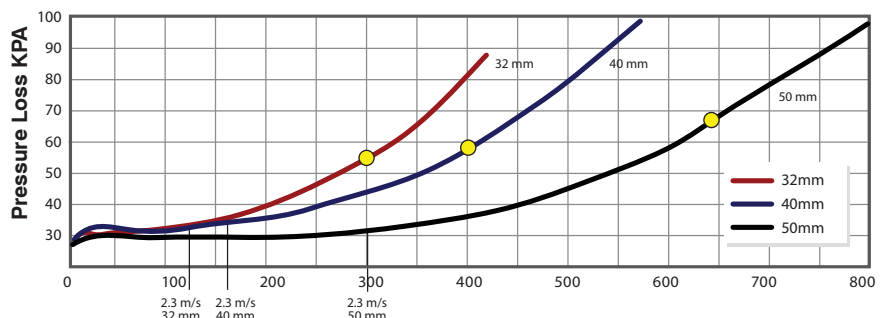
Part	Material
Body, Caps	Bronze C84400/LF C89836
Check Valves	Glass-Filled PPO
Springs	300 Series Stainless Steel
Seat Discs	Chloramine-Resistant Silicone
O-rings	Chloramine-Resistant EPDM



[www.allvalve.com.au](http://www.allvalve.com.au)



Flow Rate l/m



Flow Rate l/m



[www.allvalve.com.au](http://www.allvalve.com.au)

Customer Service (02) 8543 9811





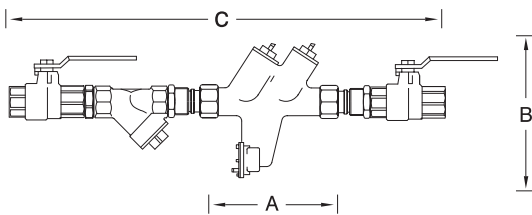
# BACKFLOW PREVENTION CATALOGUE

## Reduced Pressure Backflow Preventers

### 4A-200 SERIES



Sizes 15mm - 50mm



### REDUCED PRESSURE PRINCIPLE

The Apollo Series 4A-200 Reduced Pressure Principle Backflow Preventer is designed to give maximum protection against backflow caused by either back-pressure or back-siphonage from substances that are hazardous. The durable but economical device is easily maintained in the line with modular check cartridge assemblies that require no special tools. It consists of two independently acting spring-loaded check valves with an automatic differential relief valve located between the check valves. All testcocks are mounted at the top of the unit to assure easy access during repair and maintenance when unit is installed in tight places.

### FEATURES

- Maximum protection against back-pressure/back-siphonage
- Modular check valve cartridges with easily replaced parts
- Reversible/removable chloramine-resistant silicone seat discs
- Low head pressure loss
- Internal sensing passage
- Corrosion resistant
- AS2845.1 approved
- Maximum pressure 1,200kPa
- Temperature range 1°C - 85°C
- Horizontal installation
- Designed, manufactured, assembled and tested in South Carolina, USA
- 5 year, domestic warranty

### DIMENSIONS

Valve Code.	4A 203 T	4A 204 T	4A 205 T	4A 206 T	4A 207 T	4A 208 T
Complete Code*	4A213T2	4A214T2	4A215T2	4A216T2	4A217T2	4A218T2
Size	15 mm.	20 mm.	25mm.	32 mm.	40 mm.	50 mm.
A (RPZ device length)	187	216	241	298	298	324
B (Height)	181	187	203	251	251	279
C (Overall assembly length)	450	490	570	680	720	820
Width of assembly	65	70	70	102	102	120
WEIGHTS	kg.	kg.	kg.	kg.	kg.	kg.
Net Wt. (Device Only)	2.2	2.8	3.5	.0	6.0	8.0

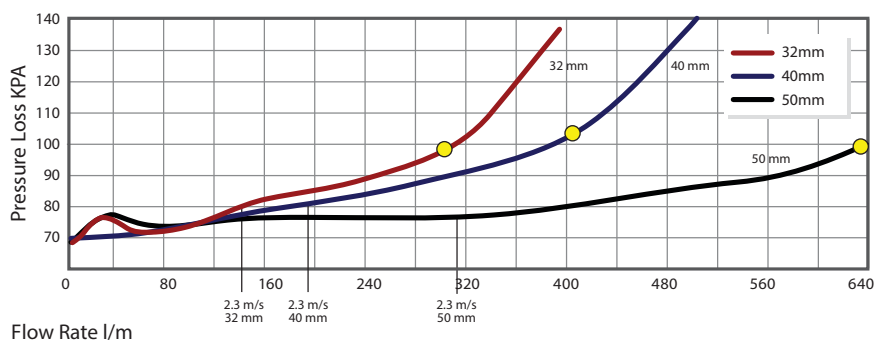
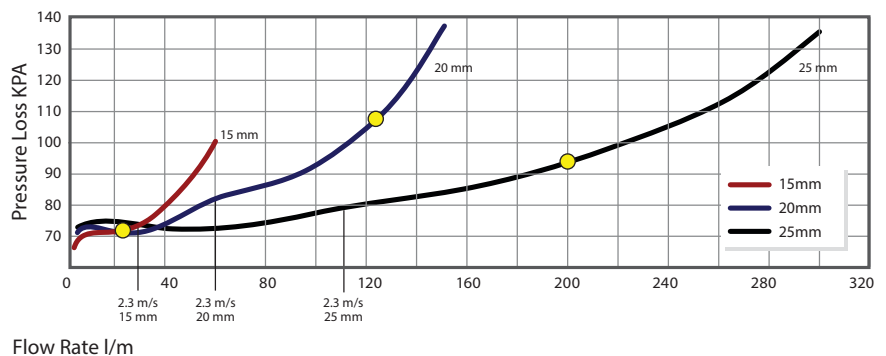
\*Complete with ball valves, strainer, unions and nipple

### MATERIALS

Part	Material
Body	Bronze (C84400, LF C89836)
Springs	300 Series SS
Seat Discs	Chloramine-resistant Silicone
Diaphragm	Nitrile and Nylon
Check Modules	Glass-Filled PPO
O-rings	Chloramine-resistant EPDM



www.allvalve.com.au



For additional information, submittal sheets and manuals, visit [www.allvalve.com.au](http://www.allvalve.com.au)

Customer Service (02) 8543 9811

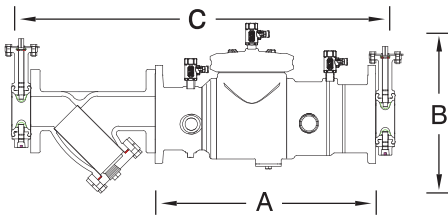
# BACKFLOW PREVENTION CATALOGUE

## Double Check Valve Backflow Preventers

### 4AE-100 SERIES



Sizes 65mm - 250mm



### DOUBLE CHECK VALVES

The Apollo® MODEL 4AE-100 Double Check Valves are designed to prevent contamination of the potable water supply due to back-siphonage or backpressure from substances that are objectionable, but non-health hazards. The TriForce™ center stem guided check valves feature replaceable and reversible silicone seat discs.

#### FEATURES

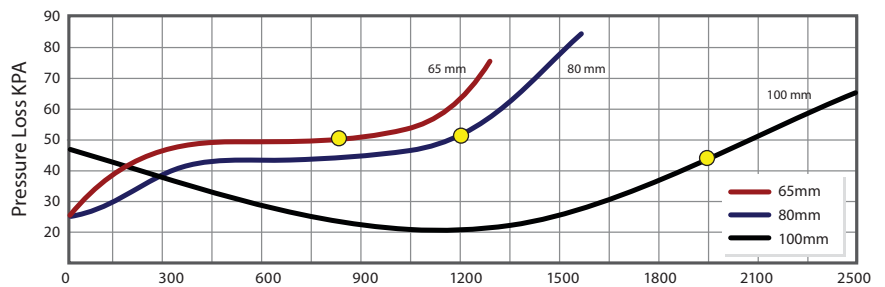
- Medium hazard protection against back-pressure/back-siphonage
- Easy maintenance - no special tools required
- Snap-in check retainers; 65-150mm
- Bolted-in checks: 200 - 250mm
- Low head loss
- Stem guided TriForce™ check valves
- Table 'E' Flanges
- Corrosion resistant
- Maximum working pressure 1,200kPa
- Horizontal or vertical installation
- Operating temp. range 1°C - 60°C
- AS2845.1 approved
- Designed, manufactured, assembled and tested in South Carolina, USA
- 2 year, domestic warranty

### DIMENSIONS

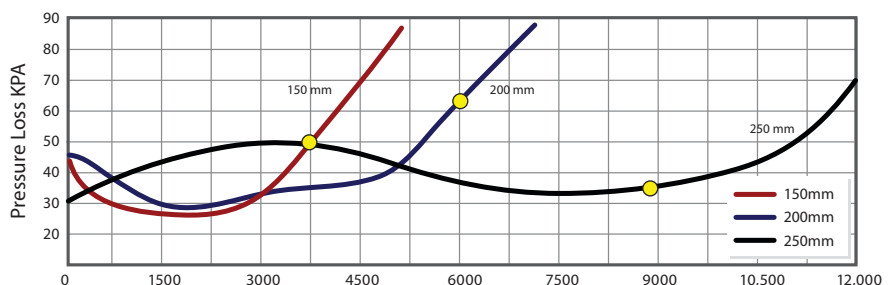
Valve Code	4AE109E1	4AE100E1	4AE10AE1	4AE10CE1	4AE10EE1	4AE10GE1
Complete Code	4AE19LB	4AE10LB	4AE1ALB	4AE1CLB	4AE1ELB	4AE1GLB
Size	65mm	80mm	100mm	150mm	200mm	250mm
A (DCV device length)	550	550	623	877	957	1126
B (Height of assembly)	399	423	501	671	818	968
C (Length w/ bfly valves)	914	938	1079	1461	1620	1925
C (Length w/ gate valves)	1204	1252	1433	1881	2084	2447
Width of assembly	254	254	339	447	500	560
<b>WEIGHTS</b>	<b>kg.</b>	<b>kg.</b>	<b>kg.</b>	<b>kg.</b>	<b>kg.</b>	<b>kg.</b>
Net Wt. (Device Only)	40	42	62	158	253	378

### MATERIALS

Part	Material
Body and covers	Epoxy Coated DI
Springs	Stainless Steel
Check Valves	PPO / Bronze / SS
Seat Discs	Silicone
Test Cocks	Bronze / SS handles



Flow Rate l/m



Flow Rate l/m



www.allvalve.com.au

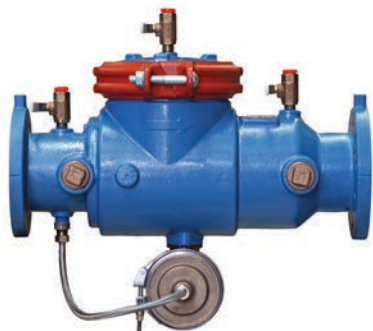




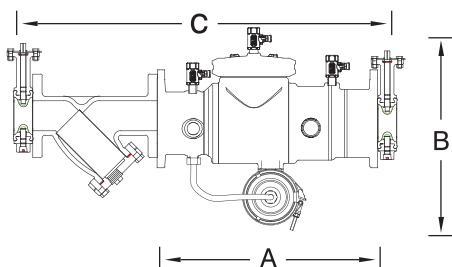
# BACKFLOW PREVENTION CATALOGUE

## Reduced Pressure Backflow Preventer

### 4AE-200 SERIES



Sizes 65mm - 250mm



### REDUCED PRESSURE PRINCIPLE

The Apollo® MODEL 4AE Reduced Pressure Principle Backflow Preventers consist of two independently acting, TriForce™ center stem guided check valves with a differential pressure relief valve located between the check valves. The unit is designed to give maximum protection against backflow of health or non-health hazard fluids by either back-pressure or back-siphonage. The durable epoxy coated ductile iron valves are easily maintained in the line without any special tools. The TriForce™ check valves operate with a spring assist in the flowing condition to provide excellent flow rates which are documented by ASSE or USC FCCC&HR approval curves.

### FEATURES

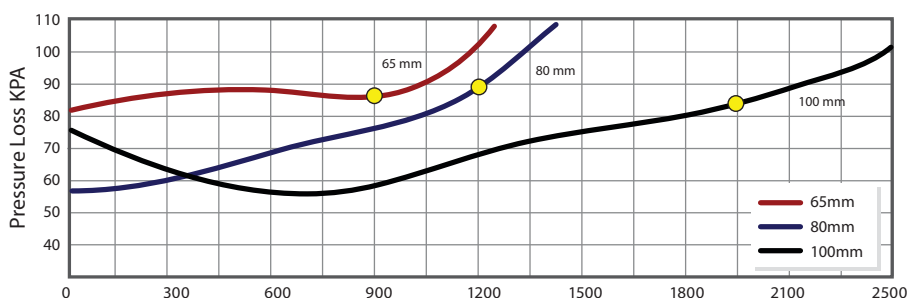
- Maximum protection against back-pressure/back-siphonage
- Easy maintenance - no special tools required
- Snap-in check retainers; 65-150mm
- Bolted-in checks: 200 - 250mm
- Low head loss
- Stem guided TriForce™ check valves
- Table 'E' Flanges
- Corrosion resistant
- Maximum pressure 1,200kPa
- Horizontal installation only
- Operating temp. range 1°C - 60°C
- AS2845.1 approved
- Designed, manufactured, assembled and tested in South Carolina, USA
- 2 year, domestic warranty

### DIMENSIONS

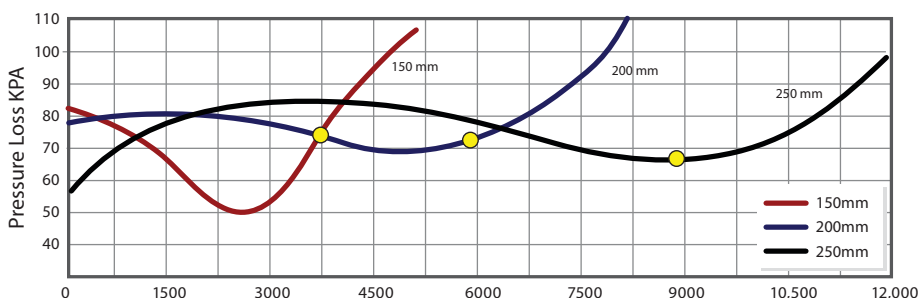
Valve Code	4AE209E1	4AE200E1	4AE20AE1	4AE20CE1	4AE20EE1	4AE20GE1
Complete Code	4AE29LB	4AE20LB	4AE2ALB	4AE2CLB	4AE2ELB	4AE2GLB
Size	65mm	80mm	100mm	150mm	200mm	250mm
A (RPZ device length)	550	550	623	877	957	1126
B (Height of assembly)	480	480	551	705	838	968
C (Length w/ bfly valves)	914	938	1079	1461	1620	1925
C (Length w/ gate valves)	1204	1252	1433	1881	2084	2447
Width of assembly	254	254	339	447	500	560
<b>WEIGHTS</b>	<b>kg.</b>	<b>kg.</b>	<b>kg.</b>	<b>kg.</b>	<b>kg.</b>	<b>kg.</b>
Net Wt. (Device Only)	44	46	66	162	262	387

### MATERIALS

Part	Material
Body and covers	Epoxy Coated DI
Springs	Stainless Steel
Check Valves	PPO / Bronze / SS
Seat Discs	Silicone
Test Cocks	Bronze / SS handles
Relief Valve	Bronze



Flow Rate l/m



Flow Rate l/m



www.allvalve.com.au



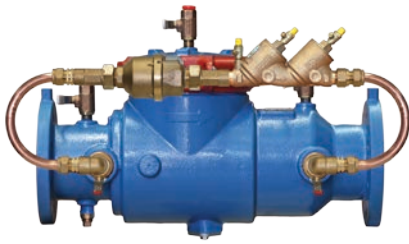
For additional information, submittal sheets and manuals, visit [www.allvalve.com.au](http://www.allvalve.com.au)

Customer Service (02) 8543 9811

# BACKFLOW PREVENTION CATALOGUE

## Double Detector Check Valve Assembly

### 4AE-600 SERIES



Sizes 65mm - 250mm

\*water meter is optional extra

### DOUBLE DETECTOR CHECK VALVES

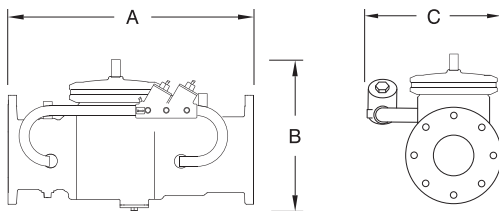
The Apollo Series 4AE-600 Double Detector Check Assembly is designed to prevent contamination of the potable water supply due to back-siphonage or backpressure from substances that are objectionable, but non-health hazards, and at the same time detect leakage or unauthorized use of water from fire hydrants or sprinkler systems. The mainline unit consists of two independent spring-loaded TriForce™ center stem guided check valves.

### OPERATION

During no flow conditions, the mainline and by-pass check valves will remain closed. If there is a low flow demand (up to a minimum of 12 l/m) of water downstream, which may be caused by a system leak or unauthorized use, the flow is routed through the water meter to monitor such consumption. Higher flow will tend to open the mainline check valves at which point water continues to flow at the by-pass at a rate below capacity. In the event pressure increases downstream, tending to reverse direction of flow, both check valves in the mainline and by-pass are closed to prevent backflow.

### FEATURES

- Medium hazard protection against back-pressure/back-siphonage
- Easy maintenance - no special tools required
- Snap-in check retainers; 65-150mm
- Bolted-in checks: 200 - 250mm
- Low head loss
- Stem guided TriForce™ check valves
- Table 'E' Flanges
- Corrosion resistant
- Maximum working pressure 1,200kPa
- Horizontal or vertical installation
- Operating temp. range 1°C - 60°C
- AS2845.1 approved
- Designed, manufactured, assembled and tested in South Carolina, USA
- 2 year, domestic warranty

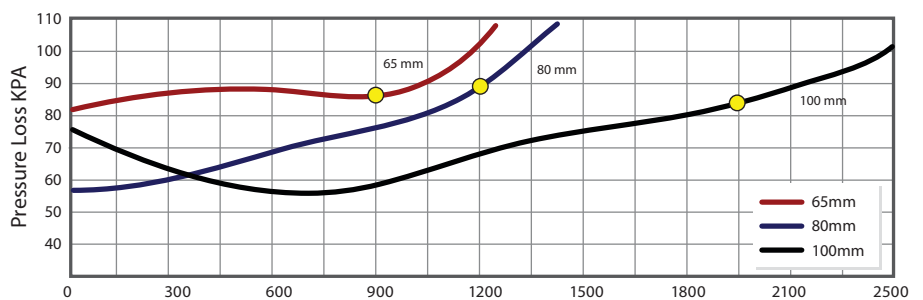


### DIMENSIONS

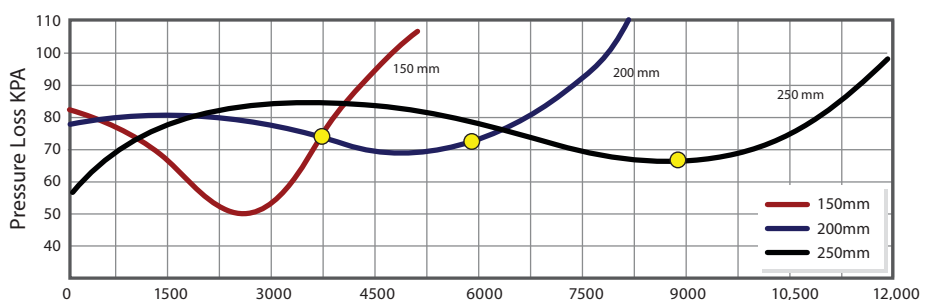
Valve Code Size	4AE69E 65mm	4AE60E 80mm	4AE6AE 100mm	4AE6CE 150mm	4AE6EE 200mm	4AE6GE 250mm
A (DDCV device length)	550	550	623	877	957	1126
B (Height)	399	423	501	671	818	968
Width of assembly	434	434	520	630	680	740
<b>WEIGHTS</b>	<b>kg.</b>	<b>kg.</b>	<b>kg.</b>	<b>kg.</b>	<b>kg.</b>	<b>kg.</b>
Net Wt. (Device Only)	45	47	67	163	258	383

### MATERIALS

Part	Material
Body and covers	Epoxy Coated DI
Springs	Stainless Steel
Seats	Bronze (C84400)
C.V. Discs	EPDM
Fasteners	Stainless Steel
Test Cock Handles	Stainless Steel



Flow Rate l/m



Flow Rate l/m





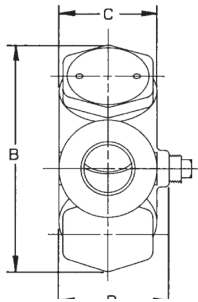
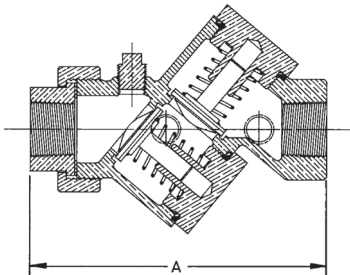
# BACKFLOW PREVENTION CATALOGUE

## Dual Check Backflow Preventers

### DUC 40 SERIES



Sizes 15mm - 25mm



### DUAL CHECK VALVE

The Apollo Series 40-300 Dual Check Valve is a low hazard device that prevents backflow by either backpressure or back-siphonage resulting from a cross-connection between potable water lines and substances that are objectionable, but not health-hazards.

#### FEATURES

- In-line repairable
- Low pressure loss
- Corrosion resistant
- Compact and lightweight
- Independently-acting check valves
- MADE IN THE USA
- 5 year, domestic warranty

#### PERFORMANCE RATING

Maximum Operating Pressure 1,200kPa  
Temperature Range 1°C - 82°C

#### MATERIALS

Part	Material
Body	Bronze (C84400)
Caps	Brass
Springs	Stainless Steel
Seat Discs	EPDM

#### DIMENSIONS

Size	40-3x3-3x	40-3x4-4x	40-3x5-5x
A	112	112	112
B	89	89	89
C	38	38	38
Wt. (kg.)	0.90	0.90	0.95

## Accessories – Backflow Preventers

### BACKFLOW TEST KITS



The Backflow Preventer Test Kits are compact, lightweight and portable testing devices. They come equipped with a gauge, hoses (with integral filters) and all required adapter fittings. Also included is a laminated test procedure and a moulded plastic carrying case with foam inserts.

Code	Application	Wt./Ea
TKB	All DCV and RPZ Devices	3.0

### TEST KIT FITTING



Brass fitting which installs onto Backflow Preventer Test Cocks by hand. No tools required. No Teflon® tape to deal with. Provides quicker testing. Sets of three fittings with o-rings for 1/4" SAE connections to the test kits.

Description	Model No.
Quick Connect Bush Adaptor Kit	7190AK
Quick Connect Swivel Coupling Kit	7190SK
Quick Connect Kit Complete (both kits above)	7190QC

### SEAT REMOVAL TOOL



The seat removal tools make the removal of the check seats from the Apollo 40-100 and 40-200 series backflow preventers quick and easy. The tools are used to safely remove the seats without risk of damaging the seats during removal or installation.

CODE	DESCRIPTION
4000SRT	Seat removal tool for RPZ and DCV 15-50mm



# BACKFLOW PREVENTION CATALOGUE

## Air Gap Drain

### RP 4A BACKFLOW PREVENTERS



### AIR GAP DRAIN

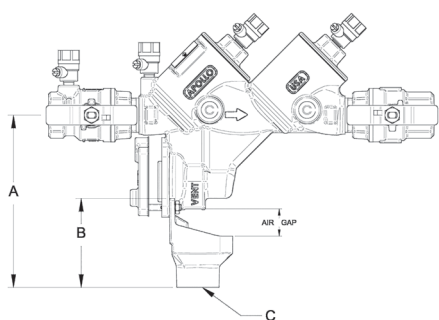
For installation with Apollo's RP 4A Series RPZ backflow preventers.

The Apollo Air Gap Drain (AGD) is designed to funnel minor relief valve discharges, due to line pressure fluctuations and /or minor check valve fouling, into the drainage system. Drain piping is easily attached to the drain's threaded bottom.

*Note: The AGD is designed to collect expected minor discharges due to fouled checks or pressure fluctuations but not the full discharge capacity of the relief valve.*

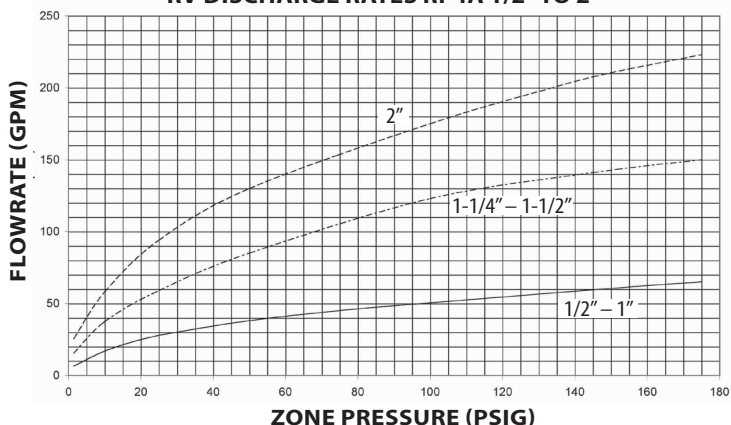
### DIMENSIONS

RP4A Series	AGD4A Model No.	A (mm.)	B (mm.)	Wt. Kgs.
15mm - 25mm	AGD4A1	165	86	.05
32mm - 40mm	AGD4A112	216	104	.10
50mm	AGD4A2	254	135	.16



**RP-4A**  
15mm - 50mm

### RV DISCHARGE RATES RP4A 1/2" TO 2"

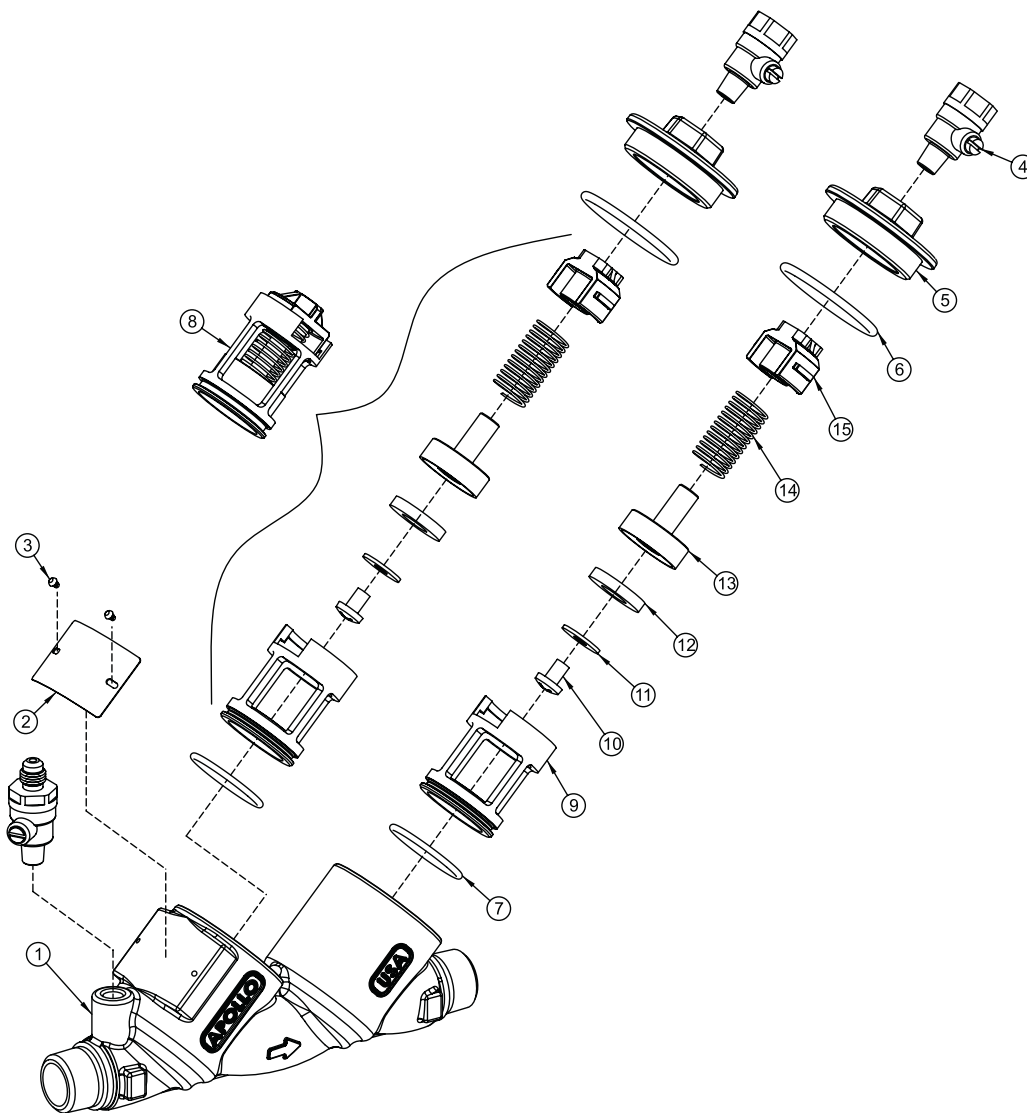


# BACKFLOW PREVENTION CATALOGUE

## 4A-100 DCV Repair Kits

### 4A-100 DCV APOLLO

Size	15mm	20mm	25mm	32-40mm	50mm
<b>Check Rubber Repair Kit (x1)</b> 6, 7, 11	4A00301	4A00401	4A00501	4A00701	4A00801
<b>Check Module Repair Kit</b> 6, 7, 8	4A00302	4A00402	4A00502	4A00702	4A00802
<b>Major Repair Kit</b> 6 (2), 7 (2), 8 (2)	4A00308	4A00408	4A00508	4A00708	4A00808



1	Body
2	Label Plate
3	Label Plate Tacks
4	Test Cock M x F
5	Cap
6	Cap O-Ring
7	Check Module O-Ring
8	<b>Check Sub Assembly</b>
9	Check Seat
10	Screw
11	Disc Retaining Washer
12	Seat Disc
13	Poppet
14	Spring
15	Spring Retainer

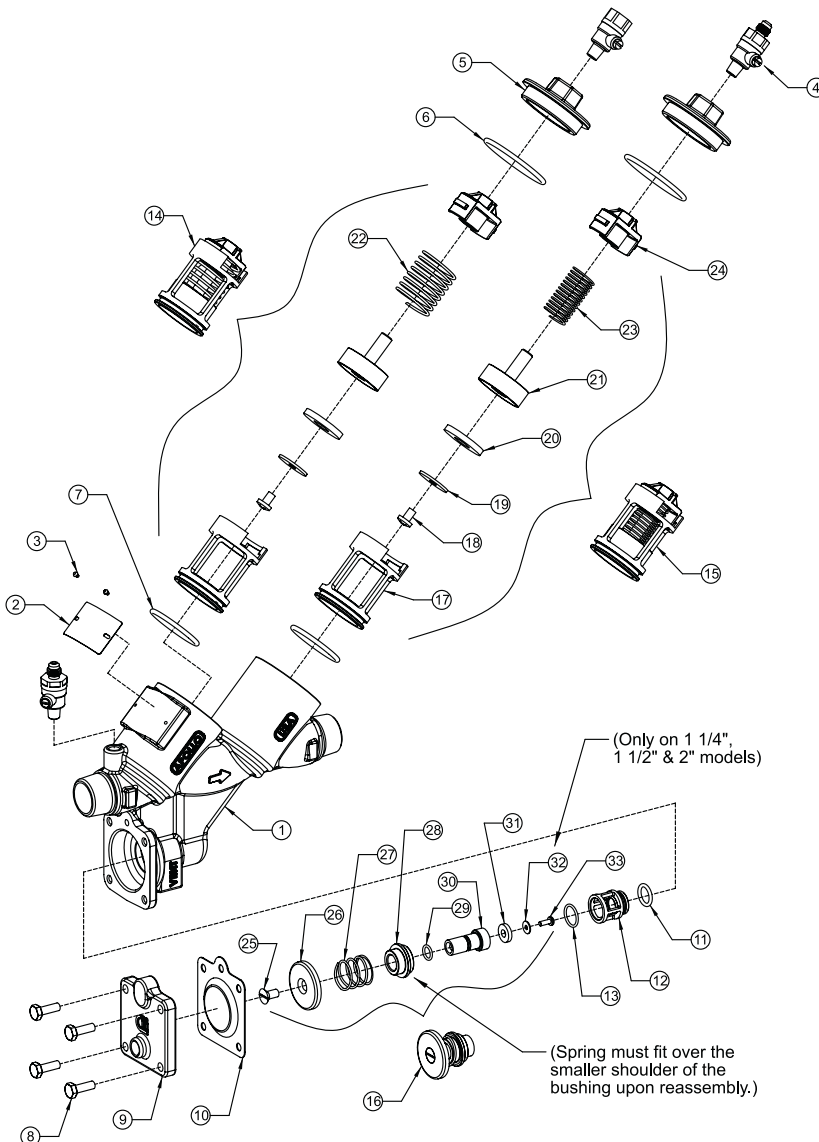


# BACKFLOW PREVENTION CATALOGUE

## 4A-200 RPZ Repair Kits

### 4A-200 RPZ APOLLO

Size	15mm	20mm	25mm	32-40mm	50mm
<b>Check Rubber Repair Kit (x1)</b> 6, 7, 20	4A00301	4A00401	4A00501	4A00701	4A00801
<b>1st Check Complete Kit</b> 6, 7, 14	4A00303	4A00403	4A00503	4A00703	4A00803
<b>2nd Check Complete Kit</b> 6, 7, 15	4A00302	4A00402	4A00502	4A00702	4A00802
<b>Relief Valve Complete Kit</b> 10, 11, 12, 13, 16	4A00505	4A00505	4A00505	4A00705	4A00805
<b>Rubber Repair Kit</b> 6 (2), 7 (2), 10, 11, 13, 20 (2), 29, 31	4A00309	4A00409	4A00509	4A00709	4A00809
<b>Major Repair Kit</b> 6 (2), 7 (2), 10, 11, 12, 13, 14, 15, 16	4A00310	4A00410	4A00510	4A00710	4A00810



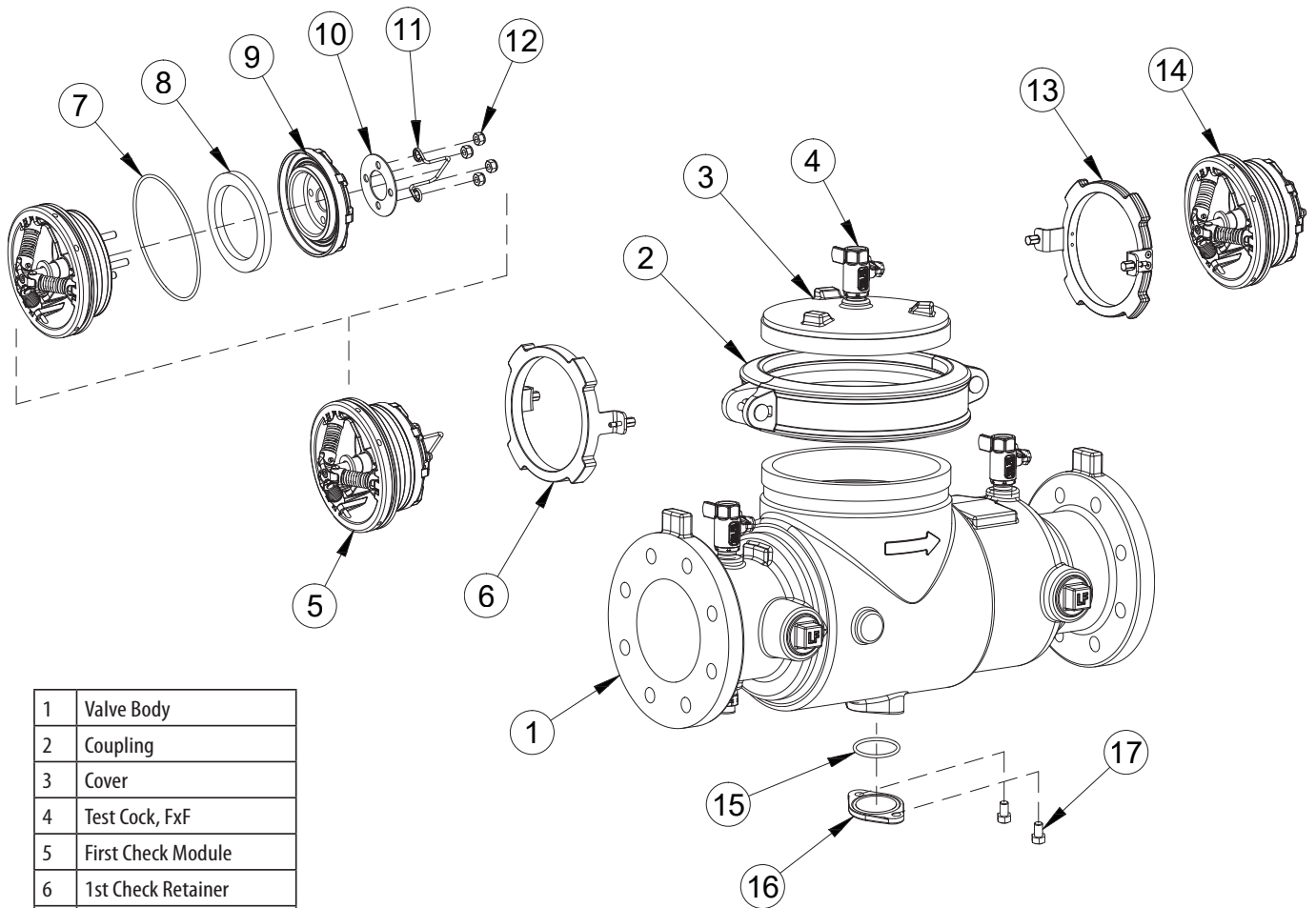
1	Body
2	Label Plate
3	Label Plate Tacks
4	Test Cock
5	Cap
6	Cap O-Ring
7	Check Module O-Ring
8	RV Cover Bolts
9	RV Cover
10	RV Diaphragm
11	RV Seat O-Ring
12	RV Seat
13	RV Bushing Face O-Ring
14	<b>1st Chk Sub Assembly</b>
15	<b>2nd Chk Sub Assembly</b>
16	<b>RV Sub Assembly</b>
17	Check Seat
18	Screw
19	Disc Retaining Washer
20	Seat Disc
21	Poppet
22	Spring 1st Check
23	Spring 2nd Check
24	Spring Retainer
25	RV Diaph. Plate Screw
26	RV Diaphragm Plate
27	RV Spring
28	RV Bushing (Standard)
29	RV Stem O-Ring
30	RV Stem
31	RV Seat Disc
32	RV Seat Disc Washer
33	RV Seat Disc Screw

# BACKFLOW PREVENTION CATALOGUE

## 4AE-100 DCV 65-150mm Repair Kits

### 4A-100 DCV APOLLO

Size	65 - 80mm	100mm	150mm
<b>RPZ / DCV Check Rubber Repair Kit (single)</b> 7, 8, 15	4A00001	4A00A01	4A00C01
<b>DCV 1st Check Module</b> 5	4A00000	4A00A00	4A00C00
<b>RPZ / DCV 2nd Check Module</b> 14	4A00002	4A00A02	4A00C02



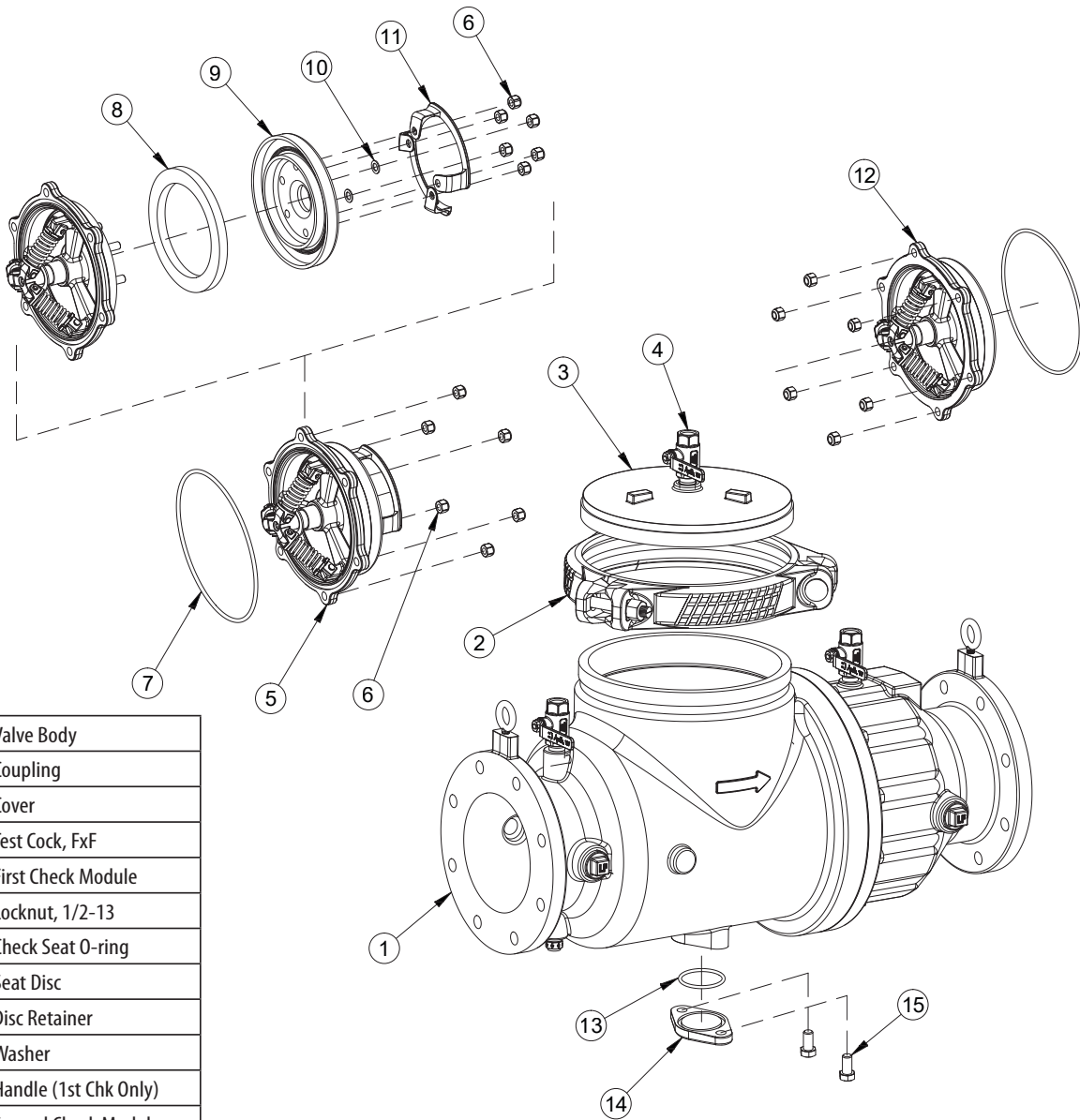
1	Valve Body
2	Coupling
3	Cover
4	Test Cock, FxF
5	First Check Module
6	1st Check Retainer
7	Check Seat O-ring
8	Seat Disc
9	Disc Retainer
10	Washer
11	Handle (1st Chk Only)
12	Locknut
13	2nd Check Retainer
14	Second Check Module
15	O-ring, RV Port
16	RV Port Cover
17	Screw, 3/8-16 x .63"

# BACKFLOW PREVENTION CATALOGUE

## 4AE-100 DCV 200-250mm Repair Kits

### 4A-100 DCV APOLLO

Size	200mm	250mm
<b>RPZ / DCV Check Rubber Repair Kit (single)</b> 7, 8, 13	4A00E01	4A00H01
<b>DCV 1st Check Module</b> 5, 7	4A00E00	4A00H00
<b>RPZ / DCV 2nd Check Module</b> 12, 7	4A00E02	4A00H02



1	Valve Body
2	Coupling
3	Cover
4	Test Cock, FxF
5	First Check Module
6	Locknut, 1/2-13
7	Check Seat O-ring
8	Seat Disc
9	Disc Retainer
10	Washer
11	Handle (1st Chk Only)
12	Second Check Module
13	O-ring, RV Port
14	RV Port Cover
15	Screw, 5/8-11 x 1.25"



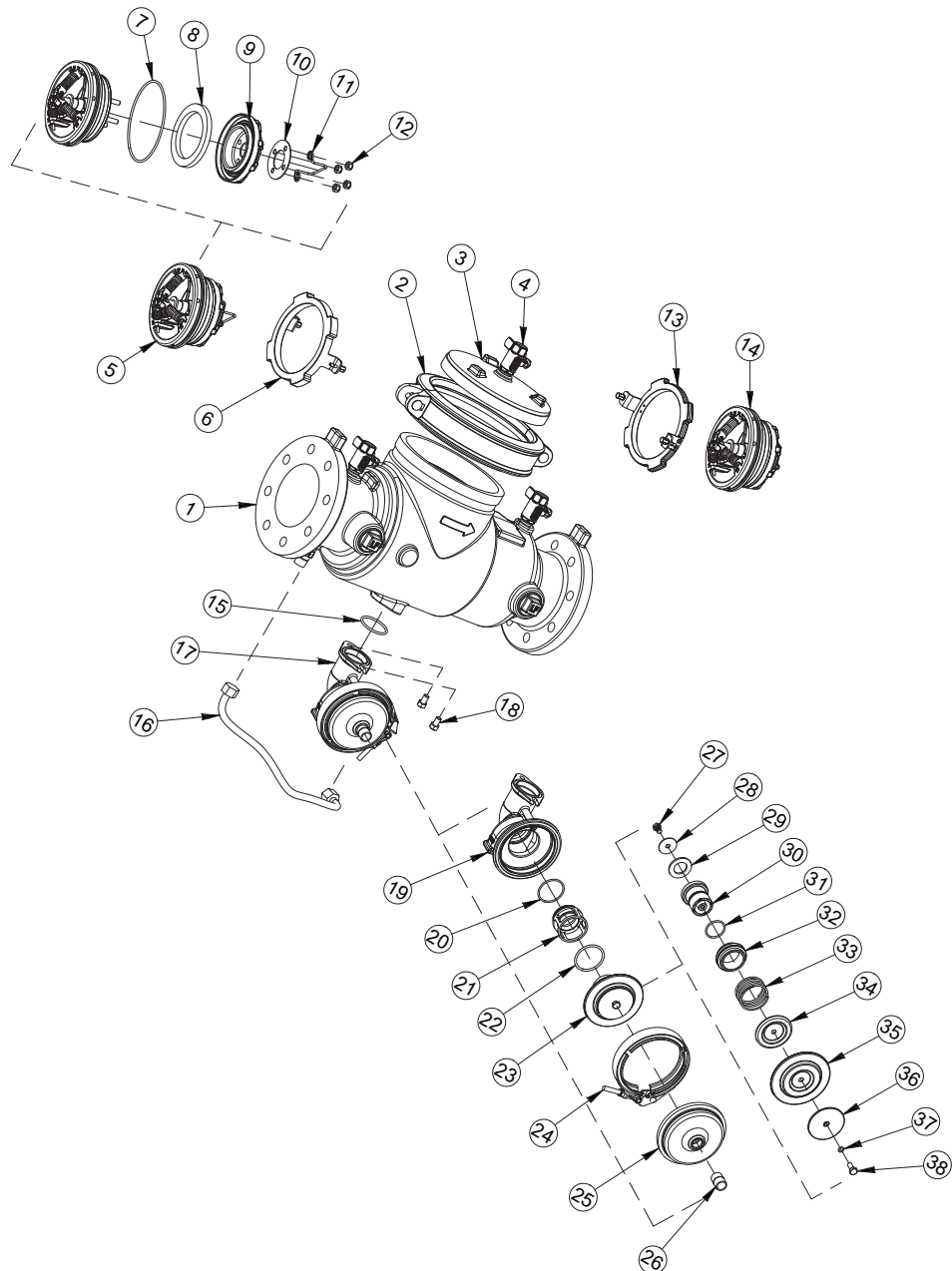
# BACKFLOW PREVENTION CATALOGUE

## 4AE-200 RPZ 65-150mm Repair Kits

### 4A-200 RPZ APOLLO

Size	65 - 80mm	100mm	150mm
<b>RPZ / DCV Check Rubber Repair Kit (single)</b> 7, 8, 15	4A00001	4A00A01	4A00C01
<b>RPZ 1st Check Module</b> 5	4A00003	4A00A03	4A00C03
<b>RPZ / DCV 2nd Check Module</b> 14	4A00002	4A00A02	4A00C02
<b>RPZ Relief Valve Rubber Kit</b> 15, 20, 22, 29, 31, 35, 37	4A00C04	4A00C04	4A00C04
<b>RPZ Relief Valve Complete Kit</b> 15, 20, 21, 22, 23	4A00C05	4A00C05	4A00C05

1	Valve Body
2	Coupling
3	Cover
4	Test Cock, FxF
5	RP First Check Module
6	1st Check Retainer
7	Check Seat O-ring
8	Seat Disc
9	Disc Retainer
10	Washer
11	Handle (1st Chk Only)
12	Locknut
13	2nd Check Retainer
14	Second Check Module
15	O-ring, RV Port
16	Sensing Hose
17	Relief Valve Sub-Assy
18	Screw, 3/8-16 x .63" Lg
19	RV Body
20	Seat O-ring
21	Seat Cage
22	Bushing O-ring
23	RV Module
24	RV Clamp
25	RV Cover
26	Nipple, 1/2" Close
27	Screw, 5/16-18 x .50
28	RV Washer
29	RV Seat Disc
30	RV Stem
31	RV Stem O-ring
32	RV Bushing
33	RV Spring
34	Diaphragm Washer
35	Diaphragm
36	Diaphragm Plate
37	Dia. Plate O-ring
38	Screw, 5/16-18 x .75



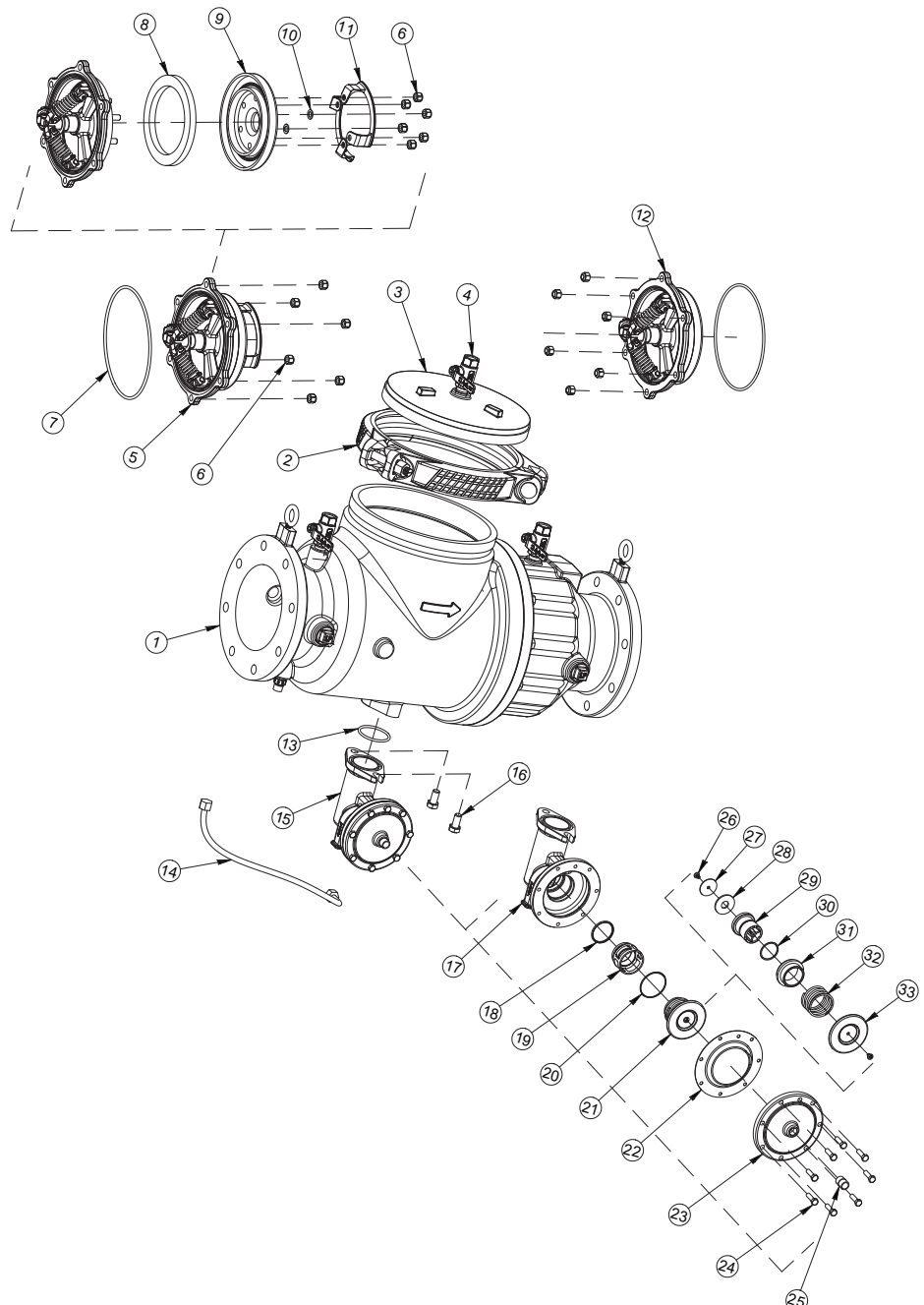
# BACKFLOW PREVENTION CATALOGUE

## 4AE-200 RPZ 200-250mm Repair Kits

### 4A-200 RPZ APOLLO

Size	200mm	250mm
<b>RPZ / DCV Check Rubber Repair Kit (single)</b> 7, 8, 13	4A00E01	4A00H01
<b>RPZ 1st Check Module</b> 5, 7	4A00E03	4A00H03
<b>RPZ / DCV 2nd Check Module</b> 12, 7	4A00E02	4A00H02
<b>RPZ Relief Valve Rubber Kit</b> 13, 18, 20, 22, 28, 30	4A00E04	4A00H04
<b>RPZ Relief Valve Complete Kit</b> 13, 18, 19, 20, 21, 22,	4A00E05	4A00H05

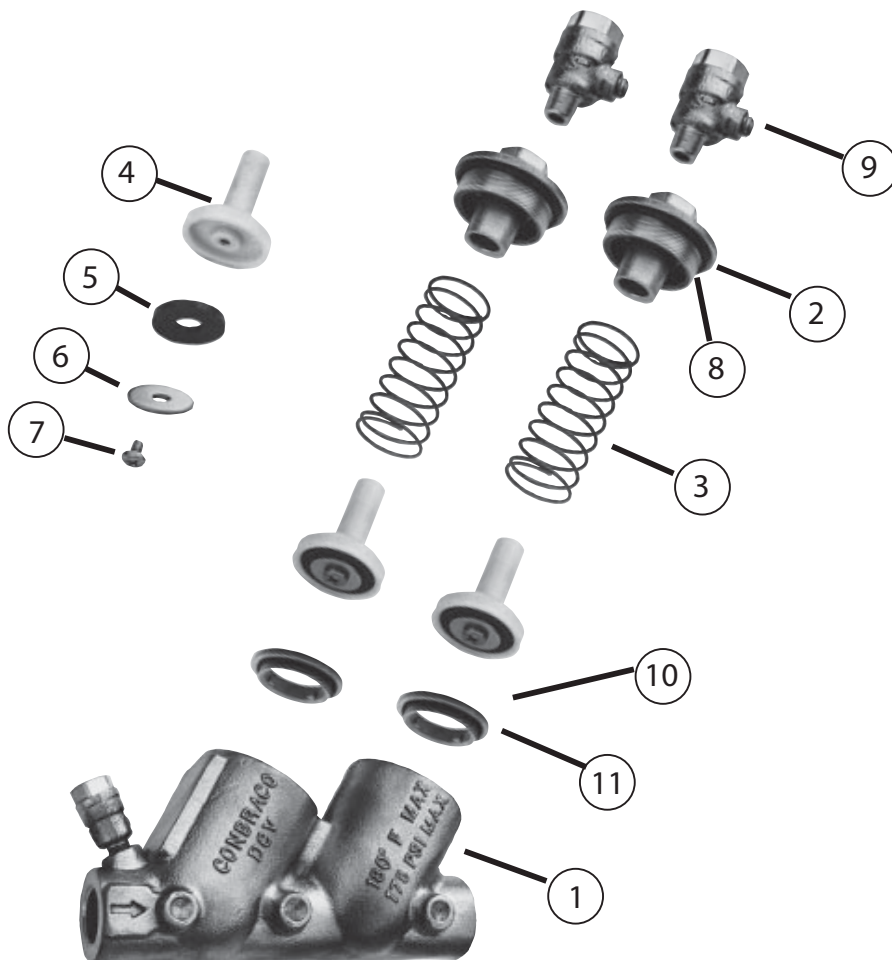
1	Valve Body
2	Coupling
3	Cover
4	Test Cock, FxF
5	RP First Check Module
6	Locknut, 1/2-13
7	Check Seat O-ring
8	Seat Disc
9	Disc Retainer
10	Washer
11	Handle (1st Chk Only)
12	Second Check Module
13	O-ring, RV Port
14	Sensing Hose
15	Relief Valve Sub-Assy
16	Screw, 5/8-11 x 1.25"
17	RV Body
18	Seat O-ring
19	Seat Cage
20	Bushing O-ring
21	RV Module
22	Diaphragm
23	RV Cover
24	Screw, 3/8-16 x 1.25
25	Nipple, 1/2" Close
26	Screw, 1/4-20 x .50
27	RV Washer
28	RV Seat Disc
29	RV Stem
30	RV Stem O-ring
31	RV Bushing
32	RV Spring
33	Diaphragm Plate



## 40-100 DCV Repair Kits

### 40-100 DCV CONBRACO

Size	20mm - 25mm	32mm - 50mm
<b>Major Repair Kit</b> 4 (2), 5 (2), 6 (2), 7 (2), 8 (2), 10 (2), 11 (2)	40004A5	40007A5
<b>Check Valve Repair Kit</b> 4, 5, 6, 7, 8, 10, 11	40004A2	40007A2
<b>Rubber Repair Kit</b> 5 (2), 8 (2), 11 (2)	40004A6	40007A6
<b>Seat Repair Kit</b> 10 (2), 11 (2)	40004A8	40007A8



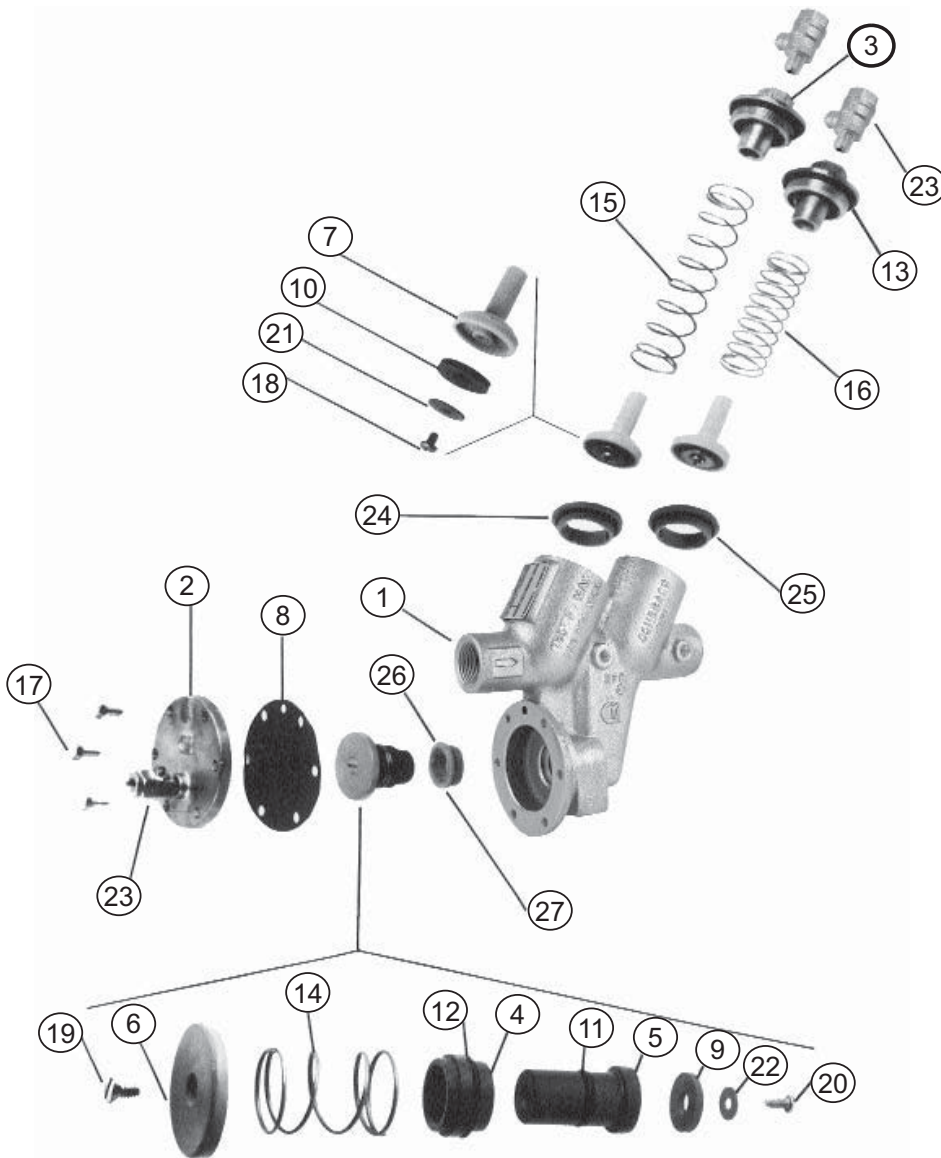
1	Body
2	Cap
3	Spring
4	Poppet
5	Seat Disc
6	Seat Retainer
7	Screw
8	Cap O-Ring
9	Test Cock
10	Check Seat
11	Check O-Ring

# BACKFLOW PREVENTION CATALOGUE

## 40-200 RPZ Repair Kits

### 40-200 RPZ CONBRACO

Size	15mm	20mm - 25mm	32mm - 50mm
<b>Major Repair Kit</b> 4, 5, 6, 7 (2), 8, 9, 10 (2), 11, 12, 13 (2), 14, 18 (2), 19, 20, 21 (2), 22, 24 (2), 25 (2), 26, 27	40003A1	40004A1	40007A1
<b>Check Valve Repair Kit</b> 7, 10, 13, 18, 21, 24, 25	40003A2	40004A2	40007A2
<b>Relief Valve Repair Kit</b> 4, 5, 6, 8, 9, 11, 12, 14, 19, 20, 22, 26, 27	40003A3	40004A3	40007A3
<b>Rubber Repair Kit</b> 8, 9, 10 (2), 11, 12, 13 (2), 25 (2), 27	40003A4	40004A4	40007A4
<b>Seat Repair Kit</b> 24 (2), 25 (2), 26, 27	40003A7	40004A7	40007A7



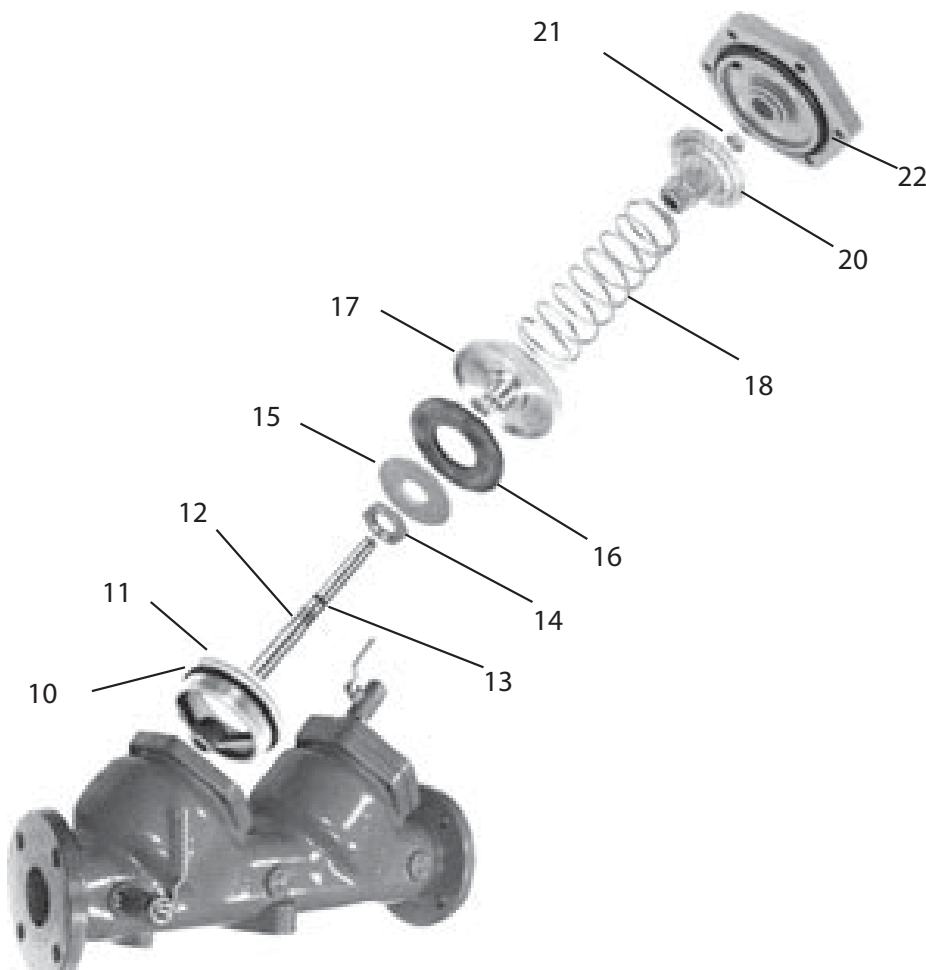
1	Body
2	R.V. Cover
3	Cap
4	R.V. Bushing
5	R.V. Stem
6	Diaphragm Plate
7	Poppet
8	R.V. Diaphragm
9	R.V. Seat Disc
10	Check Seat Disc
11	Stem O-Ring
12	Bushing O-Ring
13	Check Cap O-ring
14	R.V. Spring
15	1st Check Spring
16	2nd Check Spring
17	Hex Head Bolt
18	Screw
19	Screw
20	Screw
21	Retaining Washer
22	Retaining Washer
23	Test Cock
24	Check Seat
25	Check O-Ring
26	R.V. Seat
27	R.V. O-Ring



## DCV 65mm - 250mm Repair Kits

### 40-100 DCV CONBRACO

Size	65mm - 80mm	100mm	150mm	200mm	250mm
<b>Check Valve Repair Kit</b> 12, 13, 14, 15, 16, 17, 18, 20, 21, 22	4000902	4000A02	4000C02	4000E02	4000G02
<b>Seat Repair Kit</b> (10, 11, 22)	4000903	4000A03	4000C03	4000E03	4000G03
<b>Rubber Repair Kit</b> 2 of each (10, 13, 16, 22)	4000904	4000A04	4000C04	4000E04	4000G04



10	C.V Seat O-ring
11	C.V. Seat
12	C.V. Stem
13	C.V Stem O-ring
14	Retainer Nut
15	Retainer Washer
16	C.V. Seat Disc
17	Seat Disc Holder
18	1st Check Spring
19	2nd Check Spring
20	Spring Retainer
21	Jam Nut
22	Cap O-Ring

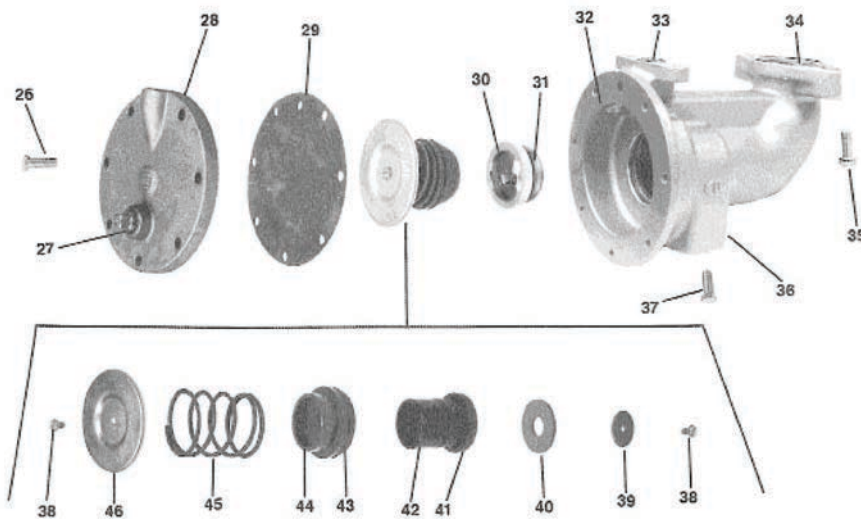
# BACKFLOW PREVENTION CATALOGUE

## RPZ 65mm - 250mm Repair Kits

### 40-200 RPZ CONBRACO

Size	65mm - 80mm	100mm	150mm	200mm	250mm
<b>1st Check Valve Repair Kit</b> 12, 13, 14, 15, 16, 17, 18, 20, 21, 22	4000901	4000A01	4000C01	4000E01	4000G01
<b>2nd Check Valve Repair Kit</b> 12, 13, 14, 15, 16, 17, 19, 20, 21, 22	4000902	4000A02	4000C02	4000E02	4000G02
<b>Seat Repair Kit</b> 10, 11, 22	4000903	4000A03	4000C03	4000E03	4000G03
<b>Rubber Repair Kit</b> 2 of each (10, 13, 16, 22)	4000904	4000A04	4000C04	4000E04	4000G04
<b>Relief Valve Repair Kit</b> 29, 30, 31, 33, 34, 38, 39, 40, 41, 42, 43, 44, 45, 46	4000905	4000A05	4000C05	4000E05	4000G05
<b>Relief Valve Rubber Repair Kit</b> 29, 31, 33, 34, 40, 42, 43	4000906	4000A06	4000C06	4000E06	4000G06

FOR 65MM - 250MM RPZ VALVE DIAGRAM, REFER TO DOUBLE CHECK VALVE



26	Relief Valve Cover Bolt
27	1/2 NPT Plug (65-150mm)
27	3/4 NPT Plug (200-250mm)
28	Relief Valve Cover
29	Relief Valve Diaphragm
30	Relief Valve Seat Ring
31	Relief Valve Seat Ring O-Ring
32	Relief Valve Body
33	Small Relief Valve O-Ring
34	Large Relief Valve O-Ring
35	Relief Valve Flange Bolt
36	1/4 NPT Plug
37	Relief Valve Flange Bolt
38	Pan Head Screw
39	Relief Valve Seat Washer
40	Relief Valve Seat Disc
41	Relief Valve Stem
42	Relief Valve Stem O-Ring
43	Relief Valve Bushing O-Ring
44	Relief Valve Bushing
45	Relief Valve Spring
46	Diaphragm Plate

## WARRANTY AND LIMITATIONS OF LIABILITY

Conbraco Industries, Inc. warrants, to its initial purchaser only, that its products which are delivered to this initial purchaser will be of the kind described in the order or price list and will be free of defects in workmanship or material for a period of FIVE years from the date of delivery to you, our initial purchaser, with the exception of any cast iron products which carries a TWO year warranty. This warranty applies to Apollo brand product with "Made in the USA" markings only.

Should any failure to conform to this warranty appear within the period specified after the date of the initial delivery to our initial purchaser, Conbraco will, upon written notification thereof and substantiation that the goods have been stored, installed, maintained and operated in accordance with Conbraco's recommendations and standard industry practice, correct such defects by suitable repair or replacement at Conbraco's own expense.

THIS WARRANTY IS EXCLUSIVE AND IS IN LIEU OF ANY IMPLIED WARRANTY OF MERCHANTABILITY, FITNESS FOR A PARTICULAR PURPOSE OR OTHER WARRANTY OF QUALITY, WHETHER EXPRESSED OR IMPLIED, EXCEPT THE WARRANTY OF TITLE AND AGAINST PATENT INFRINGEMENT. Correction of non-conformities, in the manner and for the period of time provided above, shall constitute fulfillment of all liabilities of Conbraco to our initial purchaser, with respect to the goods, whether based on contract, negligence, strict tort or otherwise. It is the intention of Conbraco Industries, Inc. that no warranty of any kind, whether expressed or implied shall pass through our initial purchaser to any other person or corporation.

LIMITATION OF LIABILITY: Conbraco Industries, inc. SHALL NOT UNDER ANY CIRCUMSTANCES BE LIABLE FOR SPECIAL OR CONSEQUENTIAL DAMAGES SUCH AS, BUT NOT LIMITED TO, DAMAGES OR TO LOSS OF OTHER PROPERTY OR EQUIPMENT, LOSS OF PROFITS OR REVENUE, COST OF CAPITAL, COST OF PURCHASED OR REPLACEMENT GOODS, OR CLAIMS OF CUSTOMERS OF OUR INITIAL PURCHASER. THE REMEDIES OF OUR INITIAL PURCHASER, AND ALL OTHERS, SET FORTH HEREIN, ARE EXCLUSIVE, AND THE LIABILITY OF CONBRACO WITH RESPECT TO SAME SHALL NOT, EXCEPT AS EXPRESSLY PROVIDED HEREIN, EXCEED THE PRICE OF THE GOODS UPON WHICH SUCH LIABILITY IS BASED.

\* It is the end user's responsibility to confirm that items intended for use satisfy local codes and standards.





**CONSOLIDATED BRASS COMPANY**  
DETROIT — MICHIGAN







**ALL VALVE INDUSTRIES**

**2/18-28 SIR JOSEPH BANKS DRIVE  
KURNELL NSW 2231**

**PH: 02 8543 9811  
FAX: 02 8543 9822**

**SALES@ALLVALVE.COM.AU  
WWW.ALLVALVE.COM.AU**