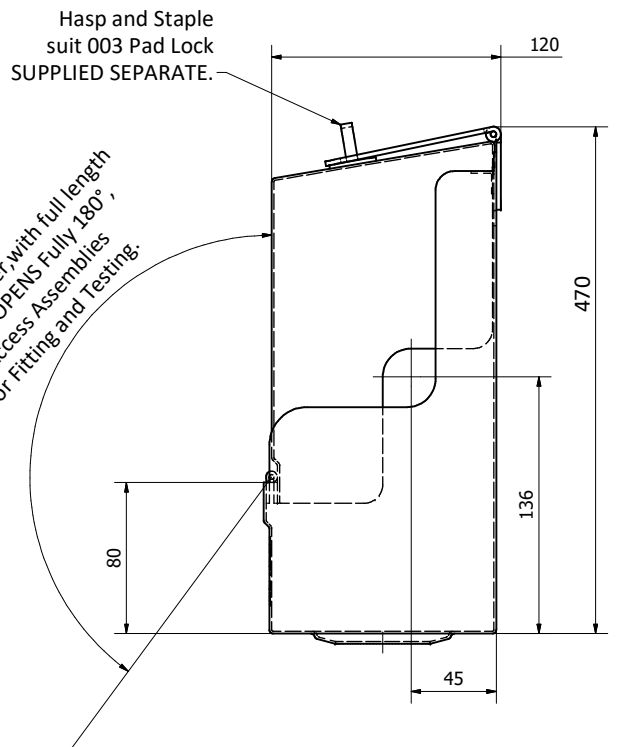
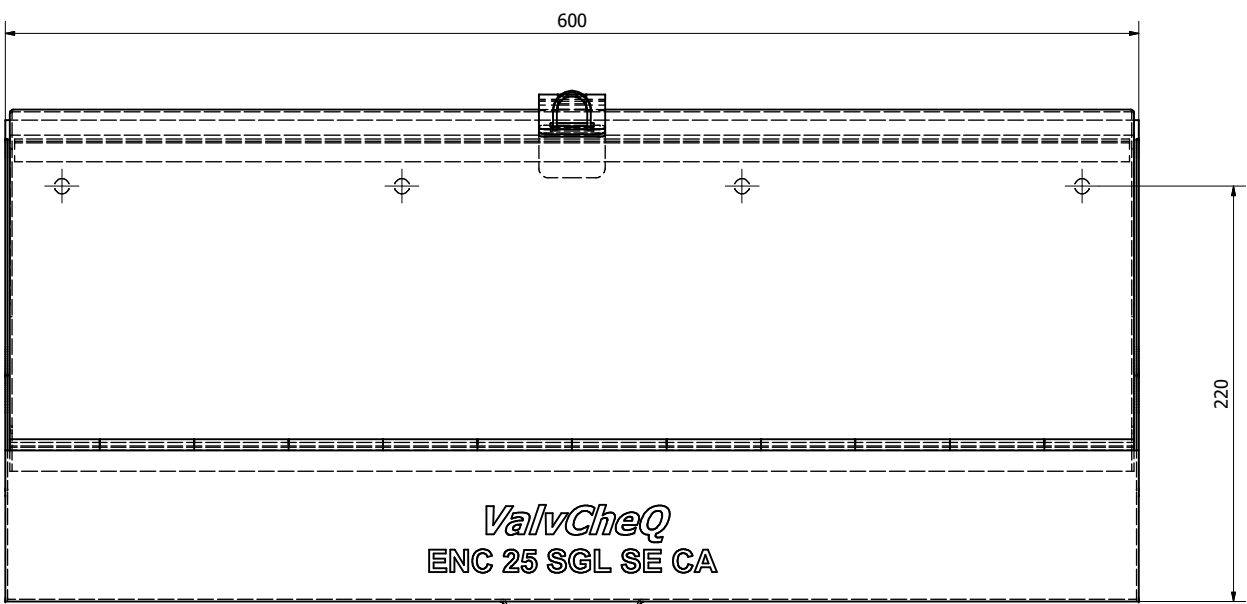


AMENDMENT					
Issue	ECN No	Change	By	Date	Grid
0	-	Issued For Manufacture	MP	23/07/2021	-



ValvCheQ
ENC 25 SGL SE CA

Drain Outlet suits
DN 40 Plug and Waste, Grate Removed,
NOT SUPPLIED

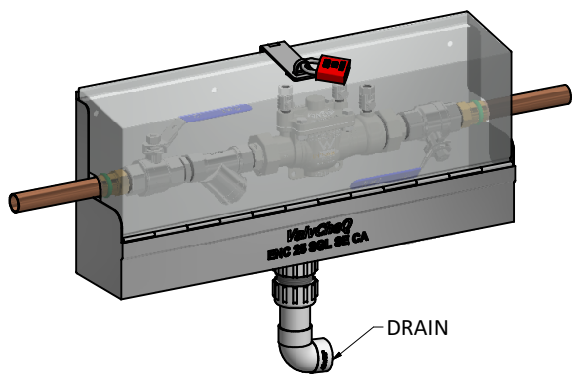


IMAGE ONLY
Typical Assembly with Valves
Scale (1 : 5)

General Notes:-

1. All Material to ASTM A 276 Grade 304 Stainless Steel.
2. Mounted on Outside Wall, with up to 4 x max Ø8 mm ancohers if required.
3. All Seams fully Welded, Lower Tundish water tight, Drains to Waste.
4. Outlet Drain, DN 40 Plug and Waste with Grate removed, must be plumbed to Waste, to meet requirements of AS 3500.
5. Hasp and Staple suit 003 Pad Lock NOT supplied.
6. Valve Assemblies Not Supplied, Example Image ONLY, Typical of Assembly.

Code Reference:-
ENC03- Enclosure Model
SGL- Single Assembly
DBL- Double Assembly
WR- Wall Recessed ENC
SE- Side Entry
BE- Bottom Entry
TE- Top Entry
RE- Rear Entry
PF- Perspex Front

Customer Approval
Checked and Sign
Company Name
Order No.

	DCO Loc./Code:	EAGLEFARM	EAG		<small>CONFIDENTIALITY NOTE</small> This document/program, including the content, is property of Emerson and must be held in strict confidence and properly safeguarded by the recipient at all times. It may not be copied or reproduced, or provided or revealed to any other party, without prior written authorisation of an appropriate officer of Emerson, and any unauthorised copy or reproduction must include this disclaimer. The recipient may only use the same only for the purpose for which Emerson has provided it to the recipient. The document must be returned to Emerson upon request. By accepting this document/program, the recipient agrees to the foregoing.
	DDO Loc./Code:	EAGLEFARM	EAG		
ValvCheQ	APPROVALS	NAME	DATE	TITLE:	Enclosure, External Wall Mount, SGL, SE, DN 15/20/25 mm, Lockable
<small>UNLESS OTHERWISE SPECIFIED, DIMENSIONS ARE IN MILLIMETRES (INCHES) TOLERANCES:</small> <small>MILLIMETRES</small> X ± 1 -- [X, ± .1] X ± .25 -- [XX, ± .01] .XX ± .05 -- [XXX, ± .015]	DRAWN BY	M.Pregelj	23-07-2021	REV.	
<small>ANGULAR ± 1.0°</small> <small>REMOVE ALL BURRS & BREAK SHARP EDGES.</small> <small>DO NOT SCALE DRAWING. SURFACE ROUGHNESS 3.2µm OR 125µ INCHES ON MACHINED SURFACES</small>	CHECKED BY	PH	23-07-2021	SIZE	A2
	APPROVED BY	MB	23-07-2021	DRAWING NO.	ENC0325-SGL-SE
	PRESSURE CLASS	PN 16		SCALE:	WEIGHT: N/A
	VALVE SIZE	DN 15-25		SHEET 1 OF 1	
	FIGURE NUMBER	RP/DC03			