

Backflow Prevention Repair Kits

Scope of Use / Specification Sheet

The RWC BEECO Backflow Prevention Repair Kit offers top performance and reliable parts. The repair kit provides easy and economical servicing. The single top plate entry cover allows quick access to the side entry checks and RPZD relief.



CHIA-1

Features and Benefits

- Single access cover
- Complete relief valve stem modules
- Separate side entry checks with O-Ring seal

Technical Specifications

	15 – 50 (mm)	65 – 200 (mm)
Max. working pressure	1200kPa	1200kPa
Max. working temperature	82°C	60°C

Installation

Installation is subject to the requirements of the applicable regulatory authority, the National Construction Code Volume Three – Plumbing Code of Australia, associated reference standards as applicable at the time and AS/NZS 3500.1.

Description

The RWC BEECO Backflow Repair Kits are listed as:

RPZD	First Check Assembly, Second Check Assembly, Relief Assembly Kit, and Rubber Service Kit
DCV	First Check Assembly, Second Check Assembly and Rubber Service Kit
SCT / SDCT	First Check Assembly, Rubber Service Kit
DDC	First Check Assembly, Second Check Assembly and Rubber Service Kit

The check valve assembly consists of stainless steel shaft, plastic seat, brass disc holder and brass spring retainer. The RPZ relief consists of the sealing cover relief valve diaphragm, relief stem and spring.

Warranty

Reliance Worldwide Corporation (Aust.) Pty. Ltd. (RWC) will either replace or repair any defective goods where the defect arose as a result of manufacture within the warranty period. You may contact RWC at the phone number, address or e-mail shown below for further information or to make a claim.

Visit www.rmc.com.au/warranty to view the warranty statement in full and for further important information.

Backflow Prevention Repair Kits

RPZD Repair Kit

Product List

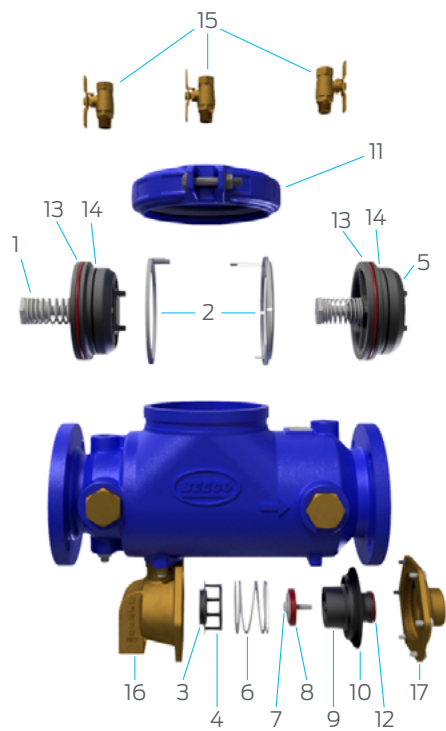
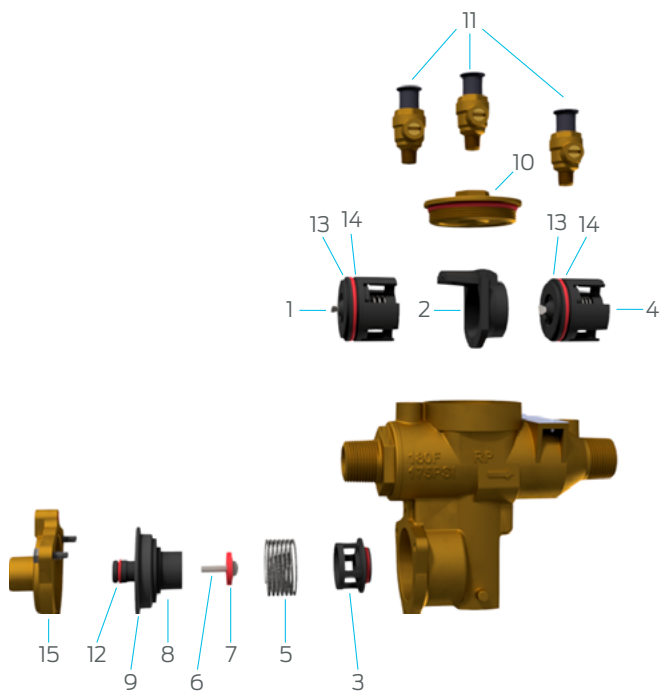
Size	Relief	First Check	Second Check	Rubber Kit
15 – 20mm	RVP-1 (3, 5, 6, 7, 8, 9, 12)	CHIB-1 (1)	CH2A-1 (4)	RPZ-RK1 (3, 7, 9, 12, 13(x2), 14(x2))
25mm	RVP-1 (3, 5, 6, 7, 8, 9, 12)	CHIB-2 (1)	CH2A-2 (4)	RPZ-RK2 (3, 7, 9, 12, 13(x2), 14(x2))
32 – 50mm	RVP-2 (3, 5, 6, 7, 8, 9, 12)	CHIB-3 (1)	CH2A-3 (4)	RPZ-RK3 (3, 7, 9, 12, 13(x2), 14(x2))
65 – 100mm	RVP-3 (3, 4, 6, 7, 8, 9, 10, 12)	CHIB-5 (1)	CH2A-5 (5)	RPZ-RK5 (3, 8, 10, 12, 13(x2), 14(x2))
150mm	RVP-3 (3, 4, 6, 7, 8, 9, 10, 12)	CHIB-6 (1)	CH2A-6 (5)	RPZ-RK6 (3, 8, 10, 12, 13(x2), 14(x2))
200mm	RVP-4 (3, 4, 6, 7, 8, 9, 10, 12)	CHIB-7 (1)	CH2A-7 (5)	RPZ-RK7 (3, 8, 10, 12, 13(x2), 14(x2))

RPZD 15 – 50mm

No.	Description	No.	Description
1	First Check Valve	9	Relief Valve Diaphragm
2	Check Valve Retainers	10	Top Plate Assembly
3	Relief Valve Seat	11	Test Cocks
4	Second Check Valve	12	Stem O-Ring
5	Relief Spring	13	Check O-Ring
6	Relief Valve Disc Retainer	14	Check Washers
7	Relief Valve Disc	15	Relief Valve Cover
8	Relief Valve Stem		

RPZD 65 – 200mm

No.	Description	No.	Description
1	First Check Valve	10	Relief Valve Diaphragm
2	Check Valve Retainers	11	Top Plate Assembly
3	Seat O-Ring	12	Stem O-Ring
4	Relief Valve Seat	13	Check O-Ring
5	Second Check Valve	14	Check Washers
6	Relief Spring	15	Test Cocks
7	Relief Valve Disc Retainer	16	Relief Valve Body
8	Relief Valve Disc	17	Relief Valve Cover
9	Relief Valve Stem		



Backflow Prevention Repair Kits

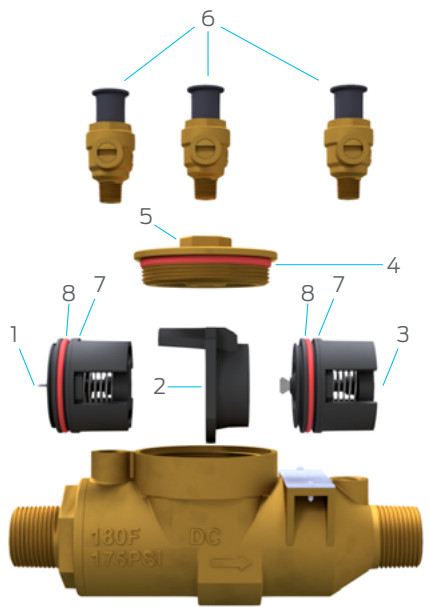
DCV Repair Kit

Product List

Size	First Check	Second Check	Rubber Kit
15 – 20mm	CH1A-1 (1)	CH2A-1 (3)	DCV-RK1 (4, 7(x2), 8(x2))
25mm	CH1A-2 (1)	CH2A-2 (3)	DCV-RK2 (4, 7(x2), 8(x2))
32 – 40mm	CH1A-3 (1)	CH2A-3 (3)	DCV-RK3 (4, 7(x2), 8(x2))
50mm	CH1A-4 (1)	CH2A-3 (3)	DCV-RK4 (4, 7(x2), 8(x2))
65 – 100mm	CH1A-5 (1)	CH2A-5 (3)	DCV-RK5 (6(x2), 7(x2))
150mm	CH1A-6 (1)	CH2A-6 (3)	DCV-RK6 (6(x2), 7(x2))
200mm	CH1A-7 (1)	CH2A-7 (3)	DCV-RK7 (6(x2), 7(x2))

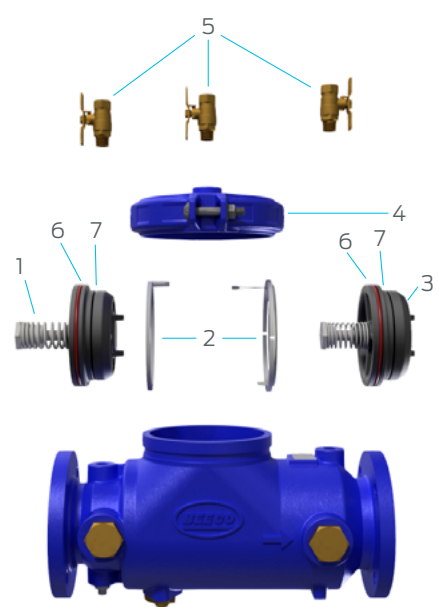
DCV 15 – 50mm

No.	Description	No.	Description
1	First Check Valve	5	Top Plate Assembly
2	Check Valve Retainers	6	Test Cocks
3	2nd Check Valve	7	Check O-Rings
4	Top Plate O-Ring	8	Check Washers



DCV 65 – 200mm

No.	Description	No.	Description
1	1st Check Valve	5	Test Cocks
2	Check Valve Retainers	6	Check O-Rings
3	2nd Check Valve	7	Check Washers
4	Top Plate Assembly		



Backflow Prevention Repair Kits

SCT / SDCT Repair Kit

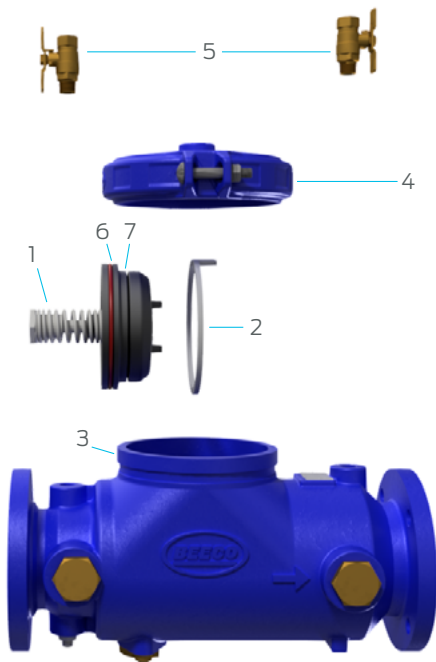
Product List

Size	Single Check – First Check Valve Assembly Kit	Single Detector Check – First Check Valve Assembly Kit	Rubber Kit
100mm	CH1A-5 (1)	CH1B-5 (1)	DCV-RK5 (6(x2), 7(x2))
150mm	CH1A-6 (1)	CH1B-6 (1)	DCV-RK6 (6(x2), 7(x2))
200mm	CH1A-7 (1)	CH1B-7 (1)	DCV-RK7 (6(x2), 7(x2))

Note: Rubber Kit includes extra Check O-Ring + Check Washer.

SCT / SDCT 100 – 200mm

No.	Description	No.	Description
1	CT Assembly	5	Test Cocks
2	CT Spring Clip	6	Check O-Ring
3	Body	7	Check Washer
4	Cover		



Backflow Prevention Repair Kits

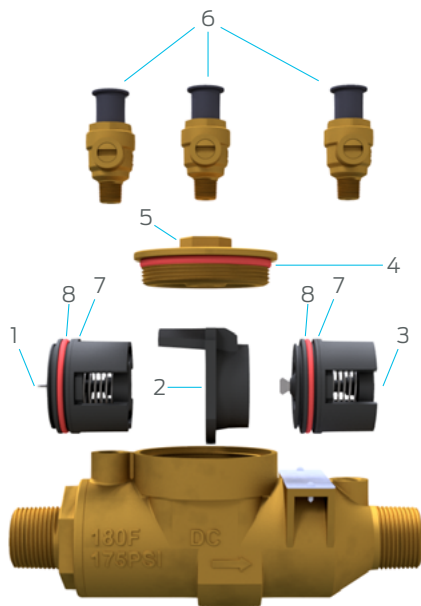
DDC Repair Kit

Product List

Size	First Check	Second Check	Rubber Kit
20mm (Metered By-Pass)	CH1A-1 (1)	CH2A-1 (3)	DCV-RK1 (4, 7(x2), 8(x2))
80mm	CH1B-5 (1)	CH2A-5 (3)	DCV-RK5 (6(x2), 7(x2))
100mm	CH1B-5 (1)	CH2A-5 (3)	DCV-RK5 (6(x2), 7(x2))
150mm	CH1B-6 (1)	CH2A-6 (3)	DCV-RK6 (6(x2), 7(x2))
200mm	CH1B-7 (1)	CH2A-7 (3)	DCV-RK7 (6(x2), 7(x2))

Metered By-Pass 20mm

No.	Description	No.	Description
1	First Check Valve	5	Top Plate Assembly
2	Check Valve Retainers	6	Test Cocks
3	2nd Check Valve	7	Check O-Rings
4	Top Plate O-Ring	8	Check Washers



DDC 80 – 200mm

No.	Description	No.	Description
1	1st Check Valve	5	Test Cocks
2	Check Valve Retainers	6	Check O-Rings
3	2nd Check Valve	7	Check Washers
4	Top Plate Assembly		

