

Series DCV Flomatic®

Double Check Valves

Size: DN65-DN200

Flomatic Double Check Valves are designed to protect drinking water supplies from dangerous cross-connections in accordance with national plumbing codes and water authority requirements for non-potable service applications such as irrigation, fireline, or industrial processing. Only those cross-connections identified by local inspection authorities as non-health hazard shall be allowed the use of an approved double check valve assembly.

Check with local authority having jurisdiction regarding vertical orientation, frequency of testing or other installation requirements.

Features

- Ductile Iron body construction for durability
- Interchangeable poppet and spring
- Designed for easy and quick in-line maintenance and testing
- Low head loss
- Corrosion resistant

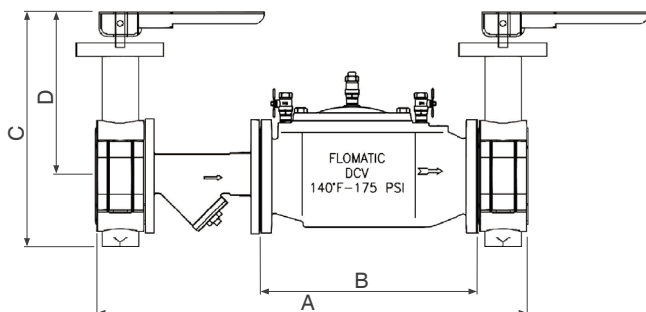
Pressure – Temperature

- Max. working temperature: 60°C
- Max. working pressure: 1200kPa (12bar)
- Hydrostatic Test Pressure: 2400kPa (24bar)
- Pipe connection: Table E AS2129 Flanged

Material

Component	Material
Valve Body	Ductile Iron
Access Cover	Ductile Iron
Polymers	Noryl™, NSF Listed
Elastomers	Silicone, Buna-n (FDA approved)
Springs	Stainless Steel
Coatings	FDA approved fusion epoxy

Installation Dimensions



Specification

The device features two mechanically independent, spring loaded, centre stem, guided check valves. The device has a cast body, with a single access cover. The assembly has three vertical test cocks and two shut off valves which are quarter-turn, full port and resilient seated.

The seat of each check valve is constructed from Noryl™ and is replaceable. The check valves are held in place by stainless steel clips and the check valve assemblies are non-interchangeable with silicone discs.

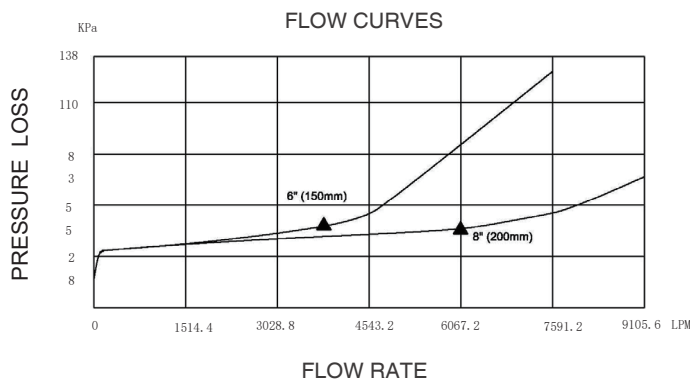
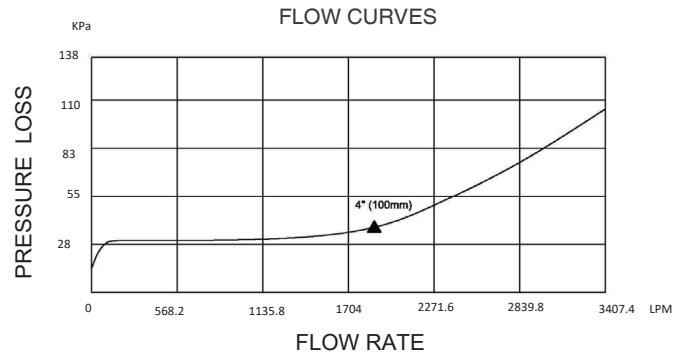
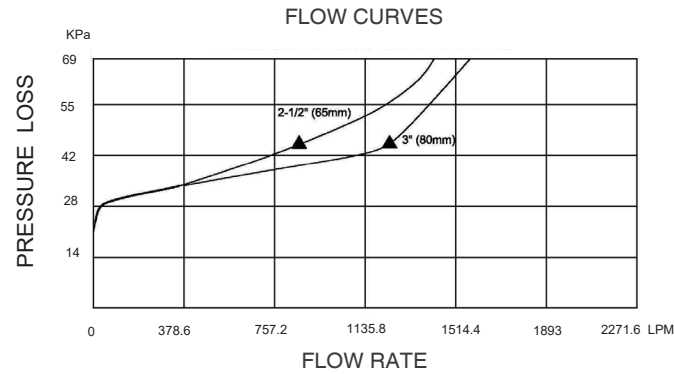
Approval

- WMK25926



Size	A	B	C	D	Net Weigh for Device Only
mm	mm	mm	mm	mm	kg.
65	758	448	378	289	23
80	788	448	410	314	23
100	933	534	489	375	45.5
150	1085	625	622	483	67
200	1364	832	743	572	129.5

Characteristic Curves



Typical Installation

Installation is subject to the requirements of the applicable regulatory authority, the National Construction Code Volume Three – Plumbing Code of Australia, associated reference standards as applicable at the time and AS/NZS 3500.1.

Fittings such as end connectors intended to join alternative pipe systems made from other materials (e.g. plastics) shall also conform to the relevant dimensional and performance requirements of the appropriate Australian, New Zealand, or joint Australian/New Zealand Standard for the alternative pipe system.

Test the assembly at initial installation, after servicing or maintenance to AS/NZS2845.3 and local regulatory authority requirements.

Product Codes

Model NO.	Description
FLO-DCV-065	65MM FLOMATIC DUCTILE IRON DCV DEVICE ONLY M&M
FLO-DCV-080	80MM FLOMATIC DUCTILE IRON DCV DEVICE ONLY M&M
FLO-DCV-100	100MM FLOMATIC DUCTILE IRON DCV DEVICE ONLY M&M
FLO-DCV-150	150MM FLOMATIC DUCTILE IRON DCV DEVICE ONLY M&M
FLO-DCV-200	200MM FLOMATIC DUCTILE IRON DCV DEVICE ONLY M&M
FLO-DCV-065-LBS	65MM FLOMATIC DUCTILE IRON DCV C/W LEVER BUTTERFLY & STRAINER TABLE E
FLO-DCV-080-LBS	80MM FLOMATIC DUCTILE IRON DCV C/W LEVER BUTTERFLY & STRAINER TABLE E
FLO-DCV-100-LBS	100MM FLOMATIC DUCTILE IRON DCV C/W LEVER BUTTERFLY & STRAINER TABLE E
FLO-DCV-150-LBS	150MM FLOMATIC DUCTILE IRON DCV C/W LEVER BUTTERFLY & STRAINER TABLE E
FLO-DCV-200-LBS	200MM FLOMATIC DUCTILE IRON DCV C/W LEVER BUTTERFLY & STRAINER TABLE E
FLO-DCV-065-GBS	65MM FLOMATIC DUCTILE IRON DCV C/W GEARED BUTTERFLY & STRAINER TABLE E
FLO-DCV-080-GBS	80MM FLOMATIC DUCTILE IRON DCV C/W GEARED BUTTERFLY & STRAINER TABLE E
FLO-DCV-100-GBS	100MM FLOMATIC DUCTILE IRON DCV C/W GEARED BUTTERFLY & STRAINER TABLE E
FLO-DCV-150-GBS	150MM FLOMATIC DUCTILE IRON DCV C/W GEARED BUTTERFLY & STRAINER TABLE E
FLO-DCV-200-GBS	200MM FLOMATIC DUCTILE IRON DCV C/W GEARED BUTTERFLY & STRAINER TABLE E