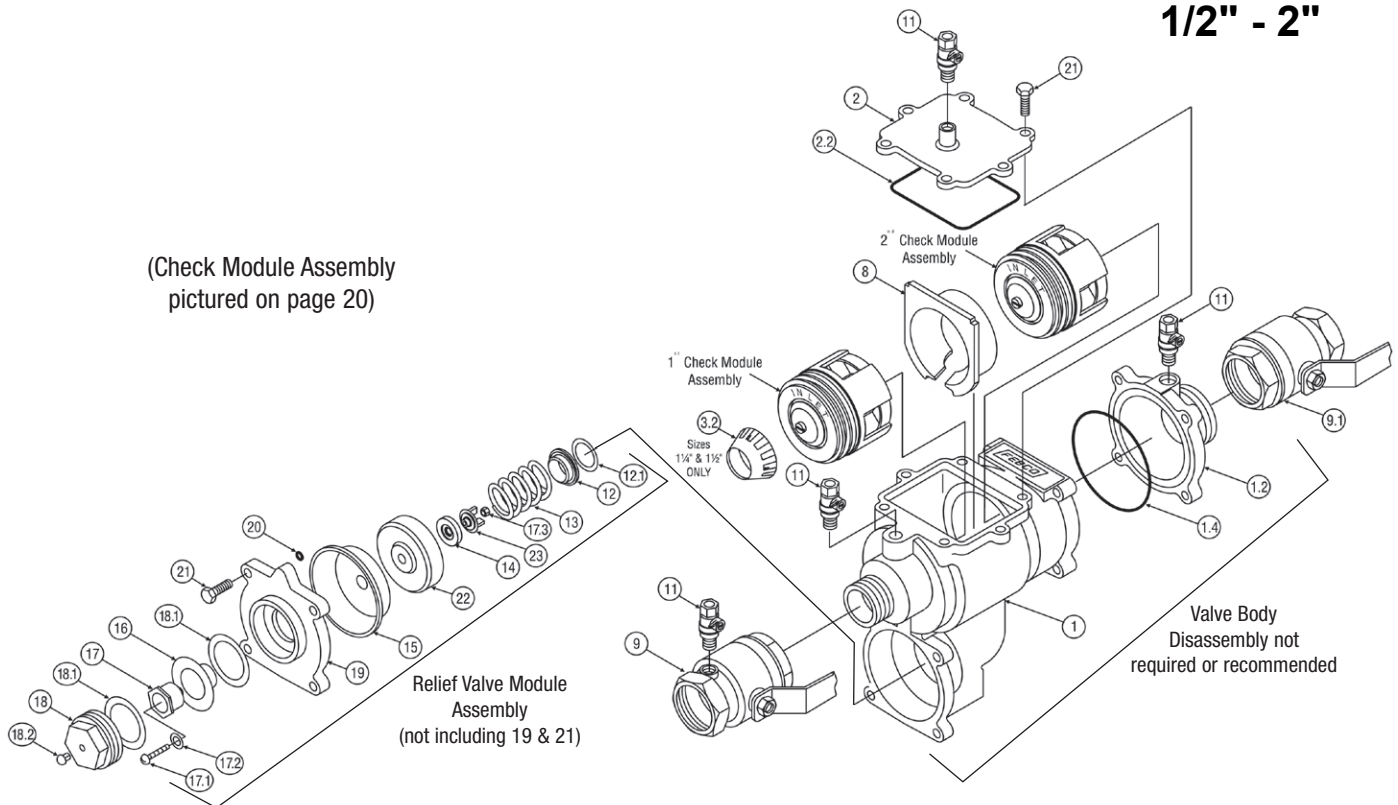




**860, LF860,  
860U, LF860U  
880, 880U  
1/2" - 2"**

(Check Module Assembly  
pictured on page 20)



Ordering Code	Style	Size
---------------	-------	------

**Complete Rubber Kit**

LEAD FREE 905355	ALL	1/2" & 3/4"
905356	ALL	1"
905357	ALL	1 1/4"-2"

Kit Includes: All rubber parts

**Check Module Rubber Kit**

LEAD FREE 905342	ALL	1/2" & 3/4"
905343	ALL	1"
905344	ALL	1 1/4"-2"

Both checks. Kit Includes: Item 2.2 & 2 ea. of items 3.1 & 5

**Relief Valve Rubber Kit**

LEAD FREE 905345	ALL	1/2" & 3/4"
905345	ALL	1"
905346	ALL	1 1/4"-2"

Kit Includes: Items 12, 12.1, 14 - 16, 18.1 (2 ea) & 20

**Single Poppet Kit**

LEAD FREE 905339	ALL	1/2" & 3/4"
905340	ALL	1"
905341	ALL	1 1/4"-2"

Valve has two poppets. Kit Includes: Items 4 thru 5.2

Ordering Code	Style	Size
---------------	-------	------

**#1 Check Module Kit (inlet)**

LEAD FREE 905348	ALL	1/2" & 3/4"
905350	ALL	1"
905352	ALL	1 1/4"-2"

Kit Includes: Items 3 - 7 for inlet check

**#2 Check Module Kit (outlet)**

LEAD FREE 905347	ALL	1/2" & 3/4"
905349	ALL	1"
905351	ALL	1 1/4"-2"

Kit Includes: Items 3 - 7 for outlet check

**Full Relief Valve Module Kit**

905353	ALL	1/2" & 3/4"
905353	ALL	1"
905354	ALL	1 1/4"-2"

Kit Includes: 1 ea of Items 12 - 17.3, 20, 22 & 23 & 2 ea. of 18.1