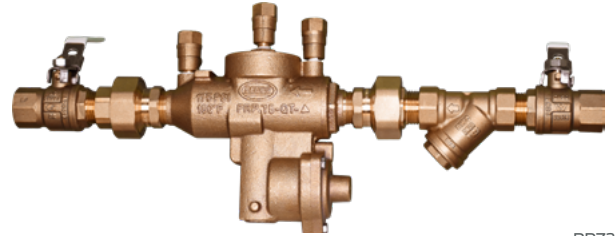


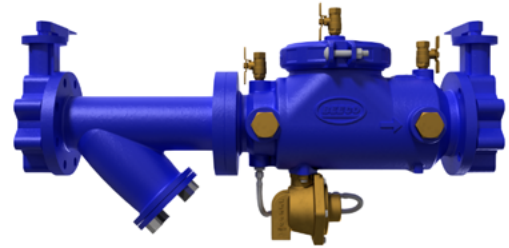
Reduced Pressure Zone Device

Scope of Use / Specification Sheet

The RWC BEECO Reduced Pressure Zone Device is designed to give maximum protection to the potable water supply from contamination in high hazard applications such as cooling towers, abattoirs and sewage treatment plants.



RPZ20C



RPZ100C

Product List

Size	Device Only	Complete
15mm	RPZ15	RPZ15C
20mm	RPZ20	RPZ20C
25mm	RPZ25	RPZ25C
32mm	RPZ32	RPZ32C
40mm	RPZ40	RPZ40C
50mm	RPZ50	RPZ50C
65mm	RPZ65	RPZ65C
80mm	RPZ80	RPZ80C
100mm	RPZ100	RPZ100C
150mm	RPZ150	RPZ150C
200mm	RPZ200	RPZ200C

Features and Benefits

- Lead-Free Bronze or Cast Iron Design
- Maximum protection against back siphonage and back pressure
- Internal by-pass passage (no external plumbing), with modular accessible design
- Designed for quick in-line maintenance and testing
- 65mm to 200mm sizes incorporate a flange design for ease of installation
- Low head loss
- Corrosion resistant
- Maximum working pressure of 1200kPa
- Operating temperature range of 1°C to 82°C up to 50mm BSP Threaded
- Operating temperature range of 1°C to 60°C from 65mm to 200mm Flanged Table E
- Approved to AS/NZS 2845-1

Description

The RMC / RWC BEECO Reduced Pressure Zone Device is an economical and durable device that is the easiest on the market to maintain in-line. It consists of two mechanically independent, spring loaded, center stem guided check valves. It also has a hydraulically dependent differential pressure relief valve with the sensing passage set in an integral cast iron or lead-free bronze body, with an easily accessible cover. The assembly has three vertical test cocks and two shut off valves which are quarter-turn, full-port and resilient seated.

The relief valve has a removable seat ring. The check valves are held in place by a Noryl™ or stainless steel clips.

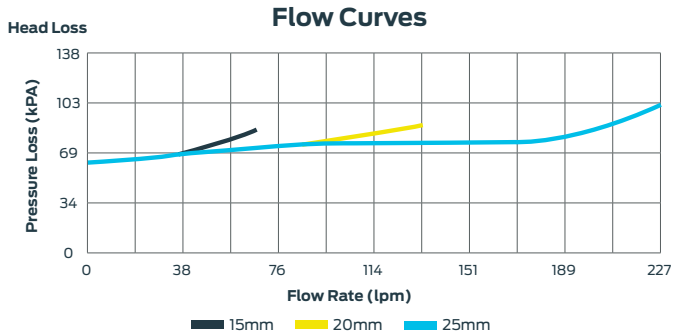
Materials

	15mm – 50mm	65mm – 200mm
Valve Body	Lead-Free Bronze	Ductile Iron
Access Cover	Lead-Free Bronze	Ductile Iron
Polymers	Noryl™, NSF Listed	Noryl™, NSF Listed
Elastomers	Silicone	Silicone, EPDM (FDA approved)
Springs	Stainless Steel	Stainless Steel
Coating	-	FDA approved fusion epoxy

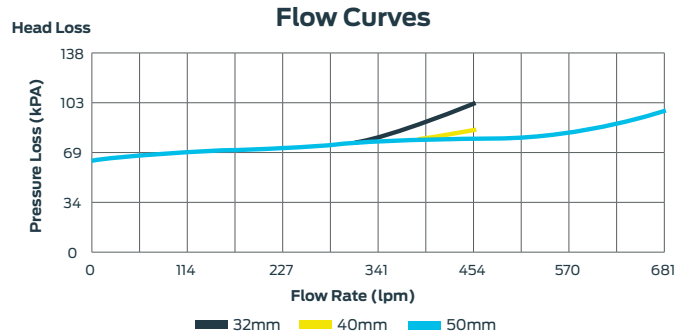
Reduced Pressure Zone Device

Flow Characteristics

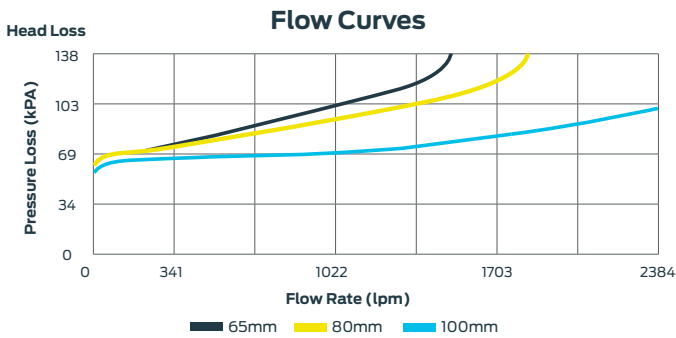
15mm – 25mm MODEL RPZD



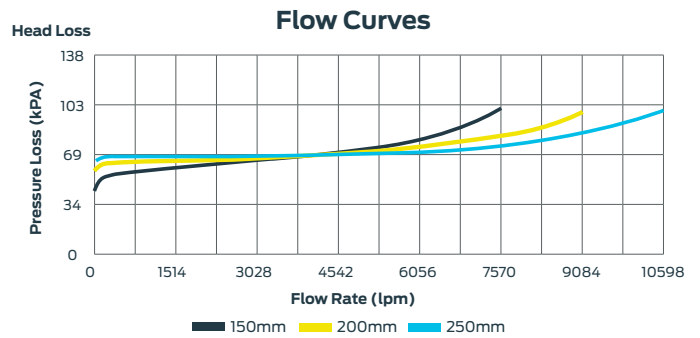
32mm – 50mm MODEL RPZD



65mm – 100mm MODEL RPZD



150mm – 250mm MODEL RPZD



Performance Specifications

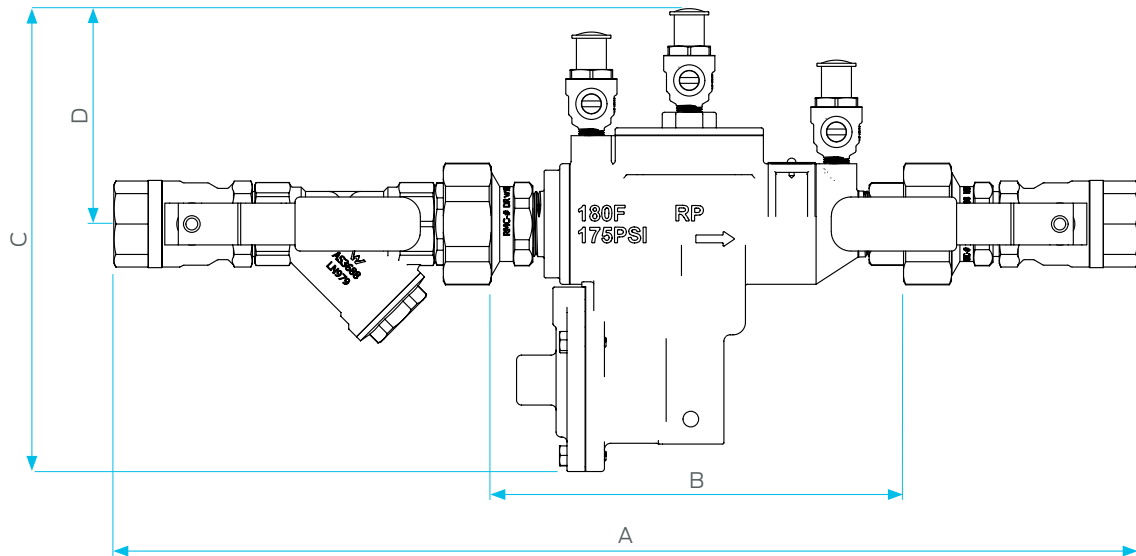
	15mm - 50mm		65mm - 200mm	
Maximum working pressure	1200kPa		1200kPa	
Maximum working temperature	82 °C		60 °C	
Hydrostatic test pressure	2400kPa		2400kPa	
Pipe connection	BSP Thread		Table E AS2129	
	DN15-DN25	DN32-DN50	DN65-DN150	DN200
Maximum Relief Discharge Rates	19lpm	76lpm	76lpm	228lpm

Reduced Pressure Zone Device

15-50mm Dimensions

Size	Order Code	A	B	C	D	Width	Weight with BV	Weight less BV
15mm	RPZ15C	382	169	188	88	66	3.5	2.5
20mm	RPZ20C	415	169	188	88	66	4.3	2.7
25mm	RPZ25C	485	202	200	92	74	6.4	4.1
32mm	RPZ32C	619	286	290	122	116	9.8	5.9
40mm	RPZ40C	658	281	290	122	116	12.7	7.7
50mm	RPZ50C	719	272	290	122	116	19.8	11.8

Note: All measurements in mm and kg unless otherwise stated.
Lockable assembly has same dimensions

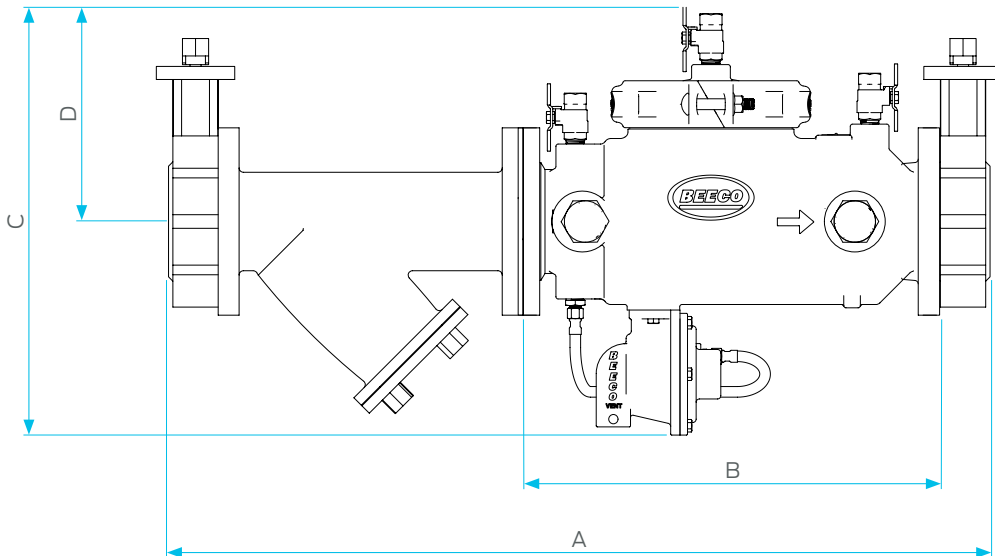


Reduced Pressure Zone Device

65-200mm Dimensions

Size	Order Code	A	B	C	D	Width	Weight with BV	Weight less BV
65mm	RPZ65C	980	600	495	250	277	74	49
80mm	RPZ80C	958	553	495	250	277	80	52
100mm	RPZ100C	1012	553	495	250	277	130	44
150mm	RPZ150C	1263	666	638	332	320	153	82
200mm	RPZ200C	1576	851	820	402	521	343	203

Note: All measurements in mm and kg unless otherwise stated.



Standards and Approvals



AS/NZS 2845.1
WM74542

Installation

Installation is subject to the requirements of the applicable regulatory authority, the National Construction Code Volume Three – Plumbing Code of Australia, associated reference standards as applicable at the time and AS/NZS 3500.1.

Warranty

Reliance Worldwide Corporation (Aust.) Pty. Ltd. (RWC) will either replace or repair any defective goods where the defect arose as a result of manufacture within the warranty period. You may contact RWC at the phone number, address or e-mail shown below for further information or to make a claim.

Visit www.rmc.com.au/warranty to view the warranty statement in full and for further important information.