



# Backflow Prevention

## 375 Series RPZ 32-50mm

### Application

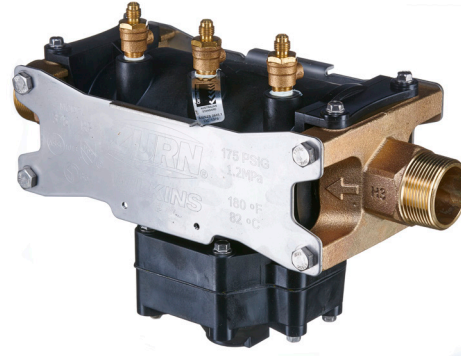
Designed for installation on potable water lines to protect against both backsiphonage and backpressure of contaminated water into the potable water supply. Reduced Pressure Zone Device Assembly shall provide protection where a potential health hazard exists. (High Hazard)

### Standards Compliance

Australian WaterMark (AS/NZS 2845.1) Certified Lic. 1379



WATERMARK  
AS/NZS 2845.1  
LIC. WMKA1379



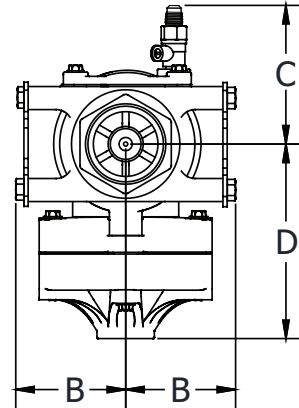
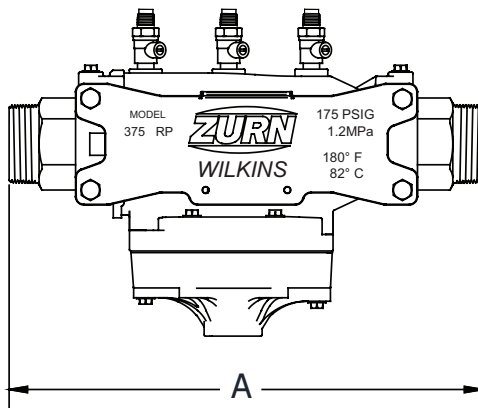
LEAD FREE

### Materials

Housing	Reinforced Nylon
Fasteners	Stainless Steel, 300 Series
Elastomers	Silicone, Buna Nitrile
Internals	Delrin, Nylon
Springs	Stainless steel, 300 series
Tailpieces	Cast Bronze, Lead Free
Struts	Stainless steel, 300 series
End connections	ISO 7.1 R Tapered Pipe Thread
Test connections	1/4" SAE 45° Flare

### Operating Parameters

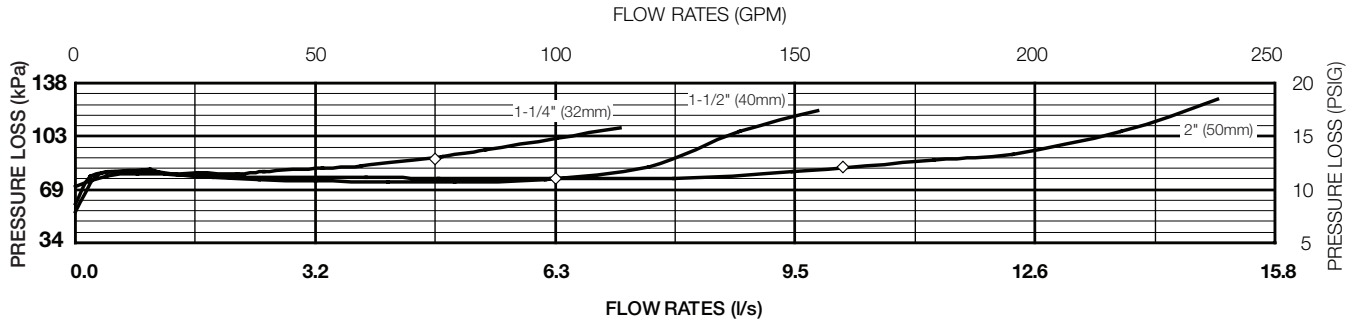
Maximum working water pressure	1200kPa
Maximum working water temperature	82°C
Hydrostatic test pressure	2400kPa



### Dimensions & Weights (do not include pkg.)

VALVE SIZE mm	REECE CODE (valve only)	ZURN CODE (valve only)	DIMENSIONS (approximate)				WEIGHT (valve only) kg
			A mm	B mm	C mm	D mm	
32	4000151	114-375LFTBT	367	86	105	146	8.5
40	1001689	112-375LFTBT	367	86	105	146	8.0
50	1001690	2-375LFTBT	367	86	105	146	8.8

**MODEL 375 32 - 50mm (STANDARD & METRIC)**

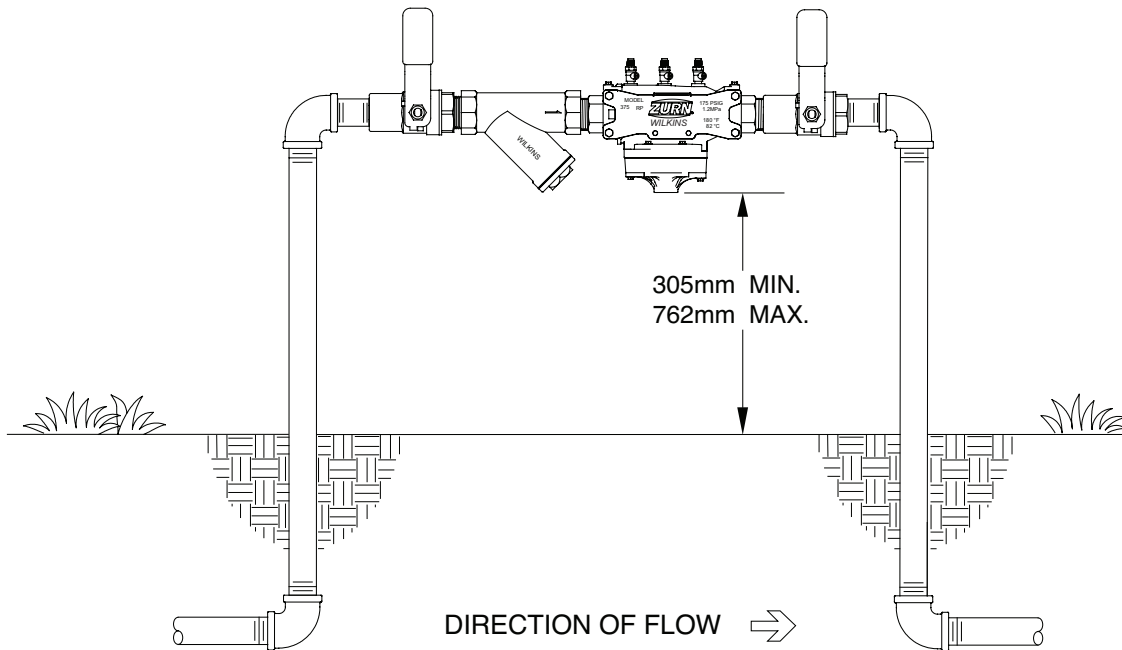
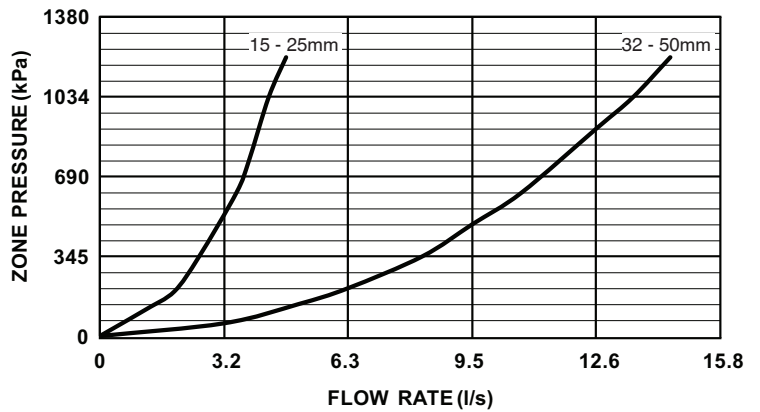


**Typical Installation**

Local codes shall govern installation requirements. To be installed in accordance with the manufacturers' instructions and the latest edition of the Plumbing Code of Australia and/or AS/NZS 3500. Unless otherwise specified, the assembly shall be mounted at a minimum of 12" (305mm) and a maximum of 30" (762mm) above adequate drains with sufficient side clearance for testing and maintenance. The installation shall be made so that no part of the unit can be submerged.

**Relief Valve Discharge Rates**

(Worst case condition- If 1st check or relief valve is lodged wide open)



**TYPICAL INSTALLATION**

**Specifications**

The Reduced Pressure Principle Backflow Preventer shall be Australian WaterMark Certified (AS/NZS 2845.1), rated to 82°C and supplied male pipe thread tailpieces. The main body shall be Nylon and the seat disc elastomers shall be silicone. The Reduced Pressure Principle Backflow Preventer shall be a ZURN WILKINS Model 375.