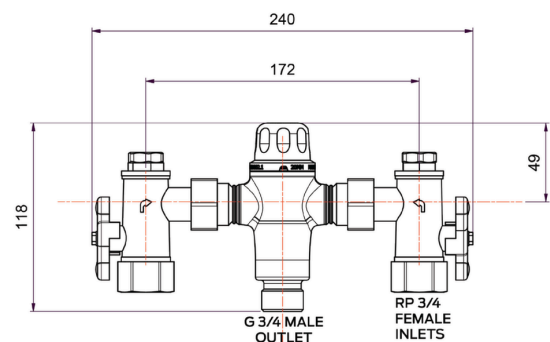


CliniMix® 2000 Lead Safe™ 3/4" Thermostatic Mixing Valve

Product Code: 201.70.02.00



Our Australian Made Galvin CliniMix® range of thermostatic mixing valves (TMVs) is designed to protect the most vulnerable from scalding or cold water shock by providing tempered water to the desired outlets that comply with the relevant Australian Standards.

Suitable for health and general applications.

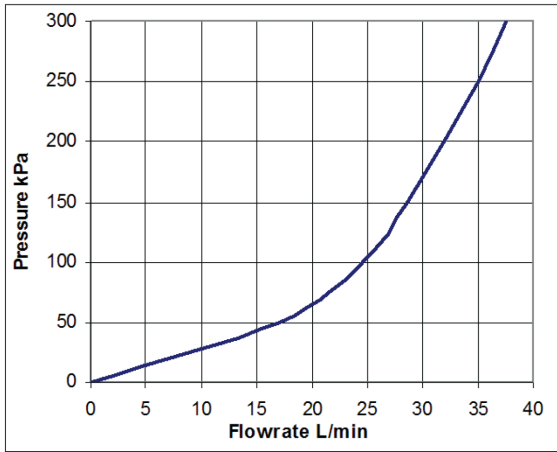


Features

- Manufactured using Lead Safe™ DZR Brass with less than 0.25% lead content*
- In the event of either hot or cold water supply failure the valve will shut down, quickly restoring flow when normal conditions resume.
- Water temperature is established at plus or minus 2 degrees even during water pressure or temperature fluctuations.
- Suitable for installation in low-pressure systems and will operate with working pressure as low as 20kPA.
- Can be installed in any configuration with the water outlet in the horizontal or vertical position, and inlet connections can be rotated to suit inlet pipework.

Technical Information

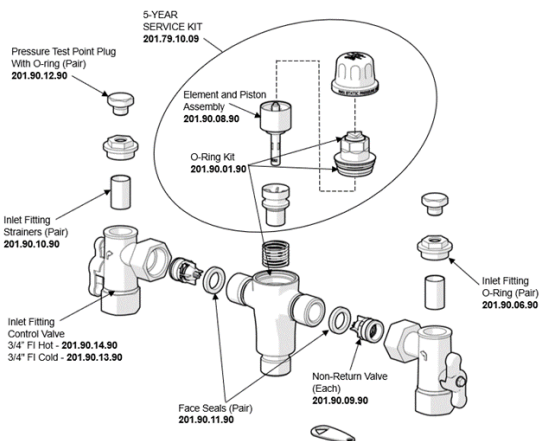
- Watermark: AS 4032.1 Lic 1593
- Factory Set Outlet Temperature (°C): 43 +/-2
- Outlet Temperature Range (°C): 35 Min - 50 Max¹
- Hot Supply Temperature (°C): 55 Min - 90 Max
- Cold Supply Temperature (°C): 5 Min - 30 Max
- Hot to Mix Temperature Differential (°C): 10 Min
- Cold to Mix Temperature Differential (°C): 5 Min
- Static Supply Pressure (kPa): 1600 Max
- Dynamic Inlet Pressures (kPa): 20 Min - 600 Max
- Recommended Supply Pressure Variation (Hot:Cold or Cold:Hot) (%): +/-10²
- Supply Pressure Loss Ratio: 10:1 Max
- Flow Rate to enable Stable Operation (LPM): 4 Min
- Inlet size: 3/4" compression nuts
- Outlet size: 3/4" BSP adaptors
- Construction: Lead Safe™ DZR Brass
- Finish: Chrome



1) AS 4032.1: approved adjustment range 38 - 50°C

2) For optimal performance it is recommended that the hot and cold water supply pressures be balanced to within +10%. Excessive variation in supply pressures may cause changes in outlet temperature.

*Notwithstanding the above, compliance with AS3500 must be maintained



Optional Extras

- [201.79.10.09](#) CliniMix® Lead Safe™ TMV 5-Year Upgrade/Service Kit

Spare Parts

- [201.79.00.09](#) CliniMix® 2000 Lead Safe™ TMV Replacement Cartridge (pre-2009 models only)



Environmental Sustainability

We are ISO 14001 certified and take sustainability seriously. Our products are environmentally responsible designed to be healthier for users, save water and/or energy, and minimise carbon footprint. Our target is to reduce our carbon footprint by 25%, and the use of non-recyclable/non-compostable materials across the company (e.g. plastics) by 50%.

Warranty

Galvin Engineering products are covered under our Manufacturer's Warranty. Galvin Engineering products must be installed in accordance with the installation instructions and in accordance with AS 3500 and NCC Volume Three, relevant Australian Standards and local authorities applicable to product being installed. Water and electrical supply conditions must also comply to the applicable national and/or state standards, failing to comply with these provisions may void the product warranty and affect performance of the product.

Please visit www.galvinengineering.com.au to view the full warranty, our Installation Compliance and Maintenance & Cleaning information as well as any other additional information.

While all reasonable care has been taken in compiling the information in this document, the designs, dimensions and products shown are indicative only and should not be relied upon without our prior approval. Due to our policy of continuous development, we reserve the right to alter any details of specifications or products without notice. All information, drawings, technical specifications and product designs remain the property of Galvin Engineering Pty Ltd.

Our Lead Safe™ product range is compliant with the Lead Free Requirements of the NCC 2022 Vol. Three, Clause A5G4(2) and NSF/ANSI 372.

Within Australia: **1300 514 074**
Outside Australia: P: +61 (0)8 9338 2344
sales@galvinengineering.com.au
www.galvinengineering.com.au



**A family
owned
Australian
business**

