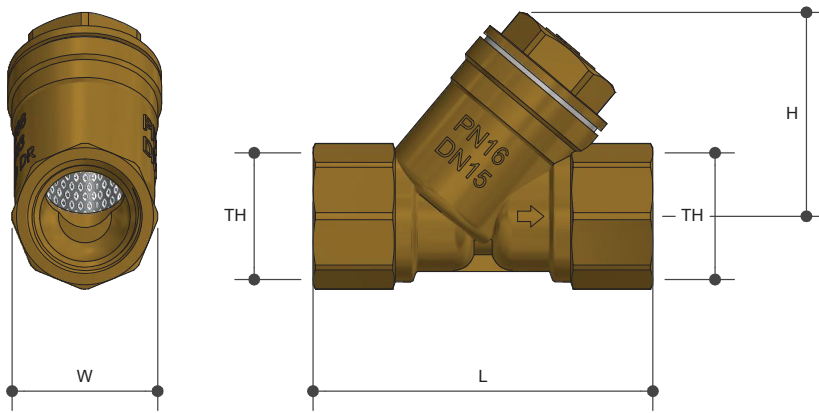


Y STRAINER

Watermarked Lead Free

Product Specifications



Specifications

Working Temperature 1°C - 99°C

Maximum Pressure 1600kPa

Mesh Size

- 15MM-25MM 350 Micron
- 32MM-50MM 500 Micron

Sizing Chart (MM)

	L	H	W	TH	FILTERS (micron)
WYS15LF	64	38	27	Rp 1/2"	350
WYS20LF	73	45	33	Rp 3/4"	350
WYS25LF	91	53	41	Rp 1"	350
WYS32LF	108	65	51	Rp 1 1/4"	500
WYS40LF	114	73	59	Rp 1 1/2"	500
WYS50LF	143	88	70	Rp 2"	500

Features

Watermark Lead Free Approved

SS304 Filter

Tested and Certified to AS 3688



Material Chart

Part	Material
Cap	DR Lead Free Brass
Body	DR Lead Free Brass
Washer	PTFE
Mesh	Stainless Steel

For more information on Metforge, contact:

Austworld 15 Activity Crescent, Molendinar, Queensland 4214 Australia

P. 1300 780 430

F. 1300 780 441

E. info@austworld.com.au

Austworld Pty Ltd. All rights reserved 2018. Austworld and Metforge are registered trade mark belonging to Austworld Pty Ltd.

