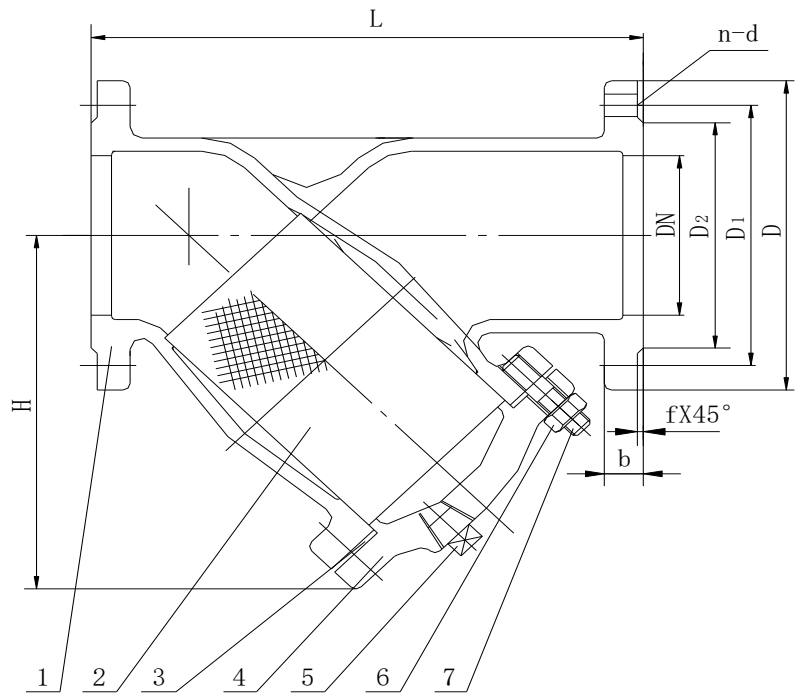


Cast Iron Flanged Y Strainer 50mm - 300mm



Pressure Rating: PN 16
 Flange: Table E
 Maximum Operating Temperature: 120 Degrees Celsius



MATERIALS

No.	PART NAME	MATERIAL (C. I.)
1	BODY	GG25
2	SCREEN	304SS
3	GASKET	GRAPHITE+STEEL
4	COVER	GG25
5	PLUG	304SS
6	NUT	304SS
7	STUD	304SS

DIMENSIONS(mm)

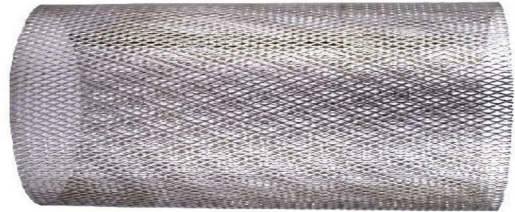
NPS	DN	L	D	D1	D2	b	n-d	f	H
2	50	230	152	114	90	19	4-18	3	135
2.5	65	290	165	127	103	19	4-18	3	185
3	80	310	185	146	122	19	4-18	3	200
4	100	350	216	178	154	22	8-18	3	235
5	125	400	255	210	184	22	8-18	3	285
6	150	480	280	235	207	22	8-22	3	300
8	200	600	337	292	264	25	8-22	3	385
10	250	730	405	356	319	25	12-22	3	458
12	300	850	457	406	370	29	12-25	4	510

Cast Iron Flanged Y Strainer 50mm - 300mm

FILTER MESH DIMENSIONS(mm)

DN	Mesh ØD	L	HoleØD	Thickness	Pitch-PCD
50	56mm	90mm	1.6mm	0.5mm	2.5mm
65	78mm	120mm	1.6mm	0.5mm	2.5mm
80	89mm	130mm	1.6mm	0.5mm	2.5mm
100	110mm	180mm	3mm	0.5mm	4.5mm
125	135mm	210mm	3mm	0.5mm	4.5mm
150	160mm	240mm	3mm	0.5mm	4.5mm
200	210mm	300mm	3mm	0.8mm	4.5mm
250	270mm	370mm	3mm	0.8mm	4.5mm
300	320mm	450mm	3mm	0.8mm	4.5mm

Filter Mesh - SS304



Flow Chart

