

Series W-YS01

Y Strainer

Pressure-Temperature

- Nominal Pressure: PN16(1600kPa)
- Temperature Range: -10°C~90°C

Material

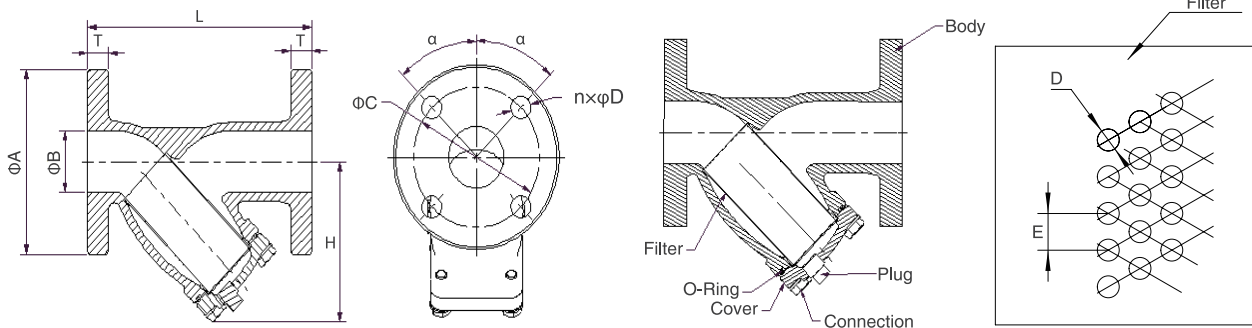
Component	Material
Body	Cast Iron
Cover	Ductile Iron
Filter	304 Stainless Steel
Connection	304 Stainless Steel
O'Ring	EPDM
Plug	304 Stainless Steel



Specification

- Connection Dimension: AS2129 Table D&E (Flange Standard)
- Test Standard: BS EN 12266-2003, GB/T13927-2008
- Working Medium: Non corrosive water

Installation Dimensions



Size mm	Contour Dimension(mm)			Connection Dimension(mm) Table E				Connection Dimension(mm) Table D					
	L	H	ØA	ØC	T	n x ØD	α	ØC	T	n x ØD	α	E	D
50	236	113	150	114	10	4 x Ø18	45°	-	-	-	-	2.4	1.2
65	255	116	165	127	10	4 x Ø18	45°	-	-	-	-	3	1.8
80	285	139	185	146	11	4 x Ø18	45°	-	-	-	-	3	1.8
100	355	155	215	178	13	8 x Ø18	22.5°	178	13	4 x Ø18	45°	3	1.8
125	405	191	255	210	14	8 x Ø18	22.5°	-	-	-	-	3.8	2.2
150	445	219	280	235	17	8 x Ø22	22.5°	235	17	8 x Ø18	22.5°	3.8	2.2
200	506	283	335	292	19	8 x Ø22	22.5°	292	19	8 x Ø18	22.5°	3.8	2.2
250	587	324	405	356	22	12 x Ø22	15°	-	-	-	-	3.8	2.2
300	630	395	455	406	25	12 x Ø26	15°	-	-	-	-	3.8	2.2

Installation Instructions

NOTE: Before installing the “Y” strainer, be sure its pressure rating is correct for the system by checking the maximum pressure rating listed on the valve’s specification sheet against the maximum system pressure.

The strainer must be installed in the correct direction and orientation to function properly.

Locate the arrow on the strainer body; it must point in the direction of flow.

Refer to Mounting Positions.

Mounting Positions

