

## Hydroflow Gear Op Lugged Butterfly Valve Watermarked 50mm - 300mm

### Application:

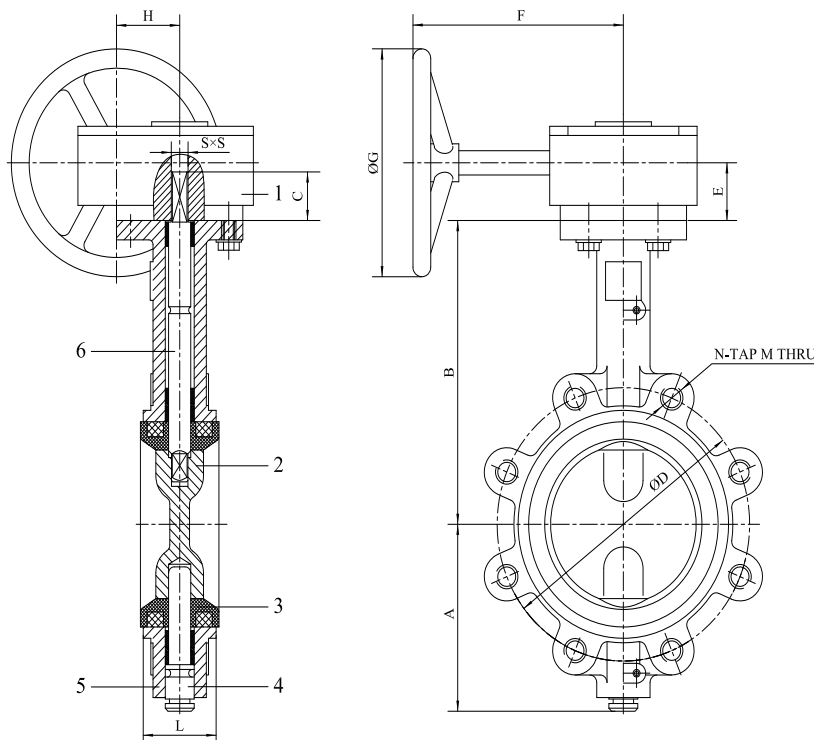
Potable water service Butterfly Valves with Watermark certification, for on and off and flow control service. Suitable applications would include building services, water and wastewater, general industry, and irrigation water supply.

### Technical Parameters:

- Nominal Diameter: DN50~DN150 Lever operated, DN50~DN300 Gear operated
- Nominal Pressure: PN16
- Working Temperature: -20°C~+120°C
- Working Medium: Potable Water
- Connection Type: Lugged
- Connection Standard: AS2129 Table E + Table D as options



6	Upper Stem	SS316	
5	Body	DI	
4	Lower Stem	SS316	
3	Seat	EPDM	
2	Disc	CF8M	
1	Gearbox		
Item	Description	Material	



Size		A	B	C	AS2129 TABLE-E			E	F	G	H	L	S
mm	inch				D	M	N						
50	2"	85	162	32	114	M16	4	27	144	138	43	42	11
65	2½"	98	174	32	127	M16	4	27	144	138	43	45	11
80	3"	104	181	32	146	M16	4	27	144	138	43	45	11
100	4"	123	200	32	178	M16	8	27	144	138	43	52	14
125	5"	136	213	32	210	M16	8	27	144	138	43	54	17
150	6"	148	225	32	235	M20	8	27	144	138	43	56	17
200	8"	186	260	38	292	M20	8	39	208	278	66	60	17
250	10"	212	292	38	356	M20	12	39	208	278	66	66	22
300	12"	251	337	38	406	M24	12	37	226	278	80	77	22