

# MODEL 975XL

Reduced Pressure Principle – Backflow Preventers 8mm to 15mm



Item Number	Description	8mm	10mm	15mm
1	BALL VALVE, TAPPED	14-850TM	38-850TM	12-850TM
2	TEST COCK	18-860	18-860	18-860
3	CHECK COVER	971-3-010F	971-3-010F	971-3-010F
4	O-RING, COVER	123N	123N	123N
5	NO.2 CHECK SPRING	951-33	951-33	951-33
6	NO.1 CHECK SPRING	971-33	971-33	971-33
7	POPPET	951-30	951-30	951-30
8	SEAL RING	951-12S	951-12S	951-12S
9	SEAL RING RETAINER	951-14	951-14	951-14
10	RETAINING BOLT	951-11	951-11	951-11
11	POPPET ASSEMBLY	951-300S	951-300S	951-300S
12	CHECK SEAT	951-18	951-18	951-18
13	O-RING, CHECK SEAT	020N	020N	020N
14	BALL VALVE	14-850M	38-850M	12-850M
15	O-RING, RELIEF VALVE SEAT	WK-016N	WK-016N	WK-016N
16	RELIEF VALVE SEAT	971-18	971-18	971-18
17	RELIEF VALVE SPRING	971A-33	971A-33	971A-33
18	RELIEF VALVE RETAINING BOLT	971-11	971-11	971-11
19	RELIEF VALVE SEAL RING RETAINER	971-14	971-14	971-14
20	RELIEF VALVE SEAL RING	971-12S	971-12S	971-12S
21	RELIEF VALVE LOWER PLUNGER	971-34A	971-34A	971-34A
22	RELIEF VALVE DIAPHRAGM	971-43	971-43	971-43
23	RELIEF VALVE UPPER PLUNGER	971-34	971-34	971-34
24	O-RING, RELIEF VALVE STEM	011N	011N	011N
25	RELIEF VALVE STEM ASSY.	971-50S	971-50S	971-50S
26	RELIEF VALVE COVER BOLTS	971-11A	971-11A	971-11A
	RV. & CHECK SEAT TOOL	971-SEATTOOL		
27	RELIEF VALVE COVER	971-3A-010F	971-3A-010F	971-3A-010F

## Repair Kit, Complete

**RK14-975XL** Size 8mm, 10mm & 15mm Only

Part Number	Qty.	Description
951-12S	2	SEAL RING
971-12S	1	RELIEF VALVE SEAL RING
971-43	1	DIAPHRAGM
123N	2	O-RING, COVER
011N	1	O-RING, RELIEF VALVE STEM
971-33	1	NO. 1 CHECK SPRING
951-33	1	NO.2 CHECK SPRING
971A-33	1	RELIEF VALVE SPRING

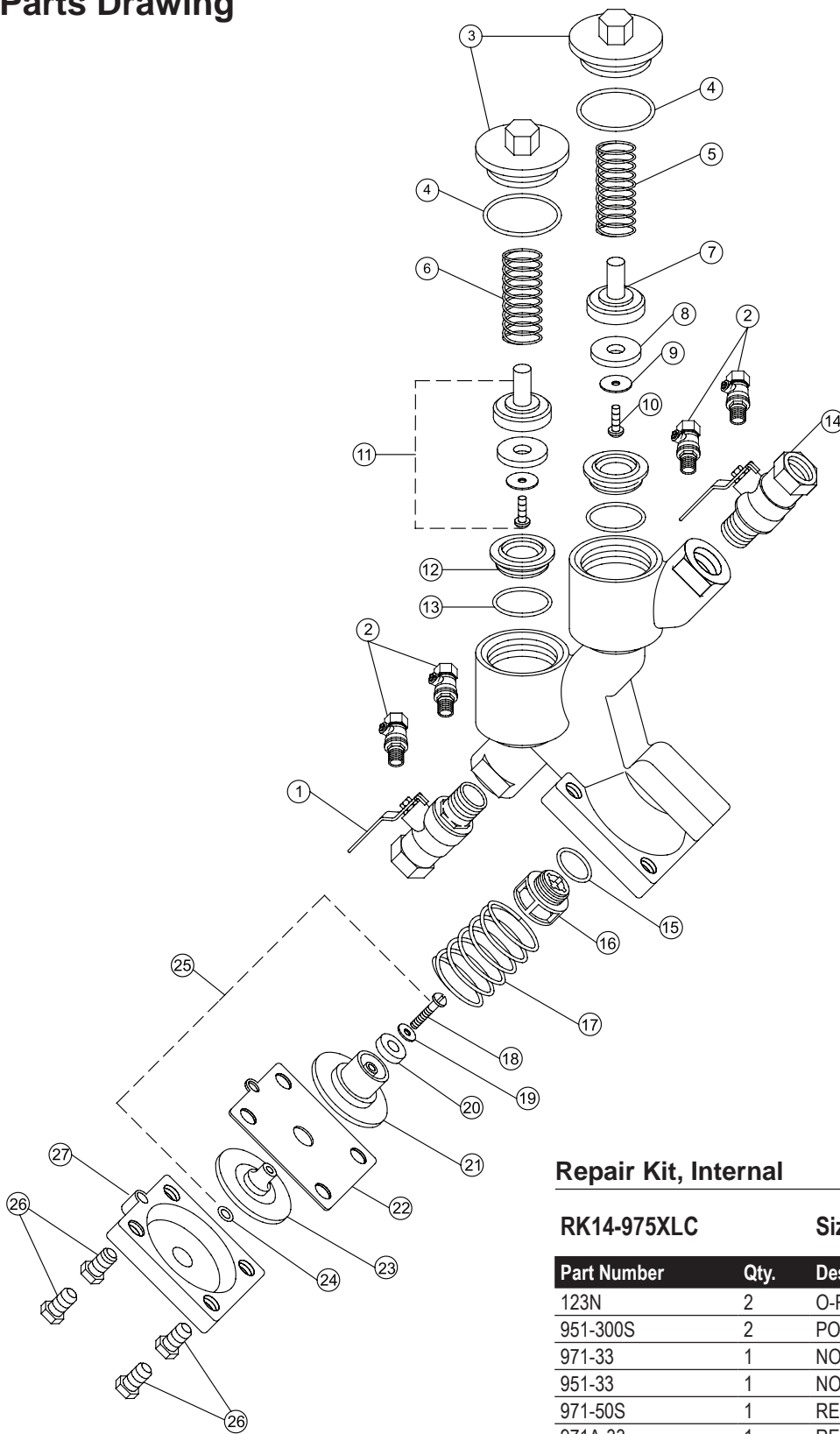
## Repair Kit, Rubber

**RK14-975XLR** Size 8mm, 10mm, 15mm Only

Part Number	Qty.	Description
951-12S	2	SEAL RING
971-12S	1	RELIEF VALVE SEAL RING
971-43	1	DIAPHRAGM
123N	2	O-RING, COVER
011N	1	O-RING, RELIEF VALVE STEM

# MODEL 975XL – 8mm to 15mm

## Parts Drawing



### Repair Kit, Internal

**RK14-975XLC**

**Size 8mm, 10mm & 15mm Only**

Part Number	Qty.	Description
123N	2	O-RING, COVER
951-300S	2	POPPET ASSEMBLY
971-33	1	NO.1 CHECK SPRING
951-33	1	NO.2 CHECK SPRING
971-50S	1	RELIEF VALVE STEM ASSY.
971A-33	1	RELIEF VALVE SPRING
971-18	1	RELIEF VALVE SEAT
020N	2	O-RING, CHECK SEAT
951-18	2	CHECK SEAT
WK-016N	1	O-RING, RELIEF VALVE SEAT

# MODEL 975XL

Reduced Pressure Principle – Backflow Preventers 20mm to 50mm



Item Number	Description	20mm	25mm	32mm	40mm	50mm
1	BALL VALVE, TAPPED	34-850T	1-850T	114-850T	112-850T	2-850T
2	BALL VALVE	34-850	1-850	114-850	112-850	2-850
	BUTTERFLY VALVE*	N/A	N/A	114-49BR	112-49BR	2-49BR
	BUTTERFLY VALVE, TAPPED*	N/A	N/A	114-49BRT	112-49BRT	2-49BRT
3	O-RING, CHECK SEAT	WK-125N	WK-125N	136N	136N	136N
4	CHECK SEAT	952-18S	952-18S	954-18S	954-18S	954-18S
5	RETAINING BOLT	952-11	952-11	952-11	952-11	952-11
6	SEAL RING RETAINER	952-14	952-14	954-14	954-14	954-14
7	SEAL RING	952-12S	952-12S	954-12S	954-12S	954-12S
8	POPPET	952-30-010F	952-30-010F	954-30-010F	954-30-010F	954-30-010F
9	NO.1 CHECK SPRING	972-33	972-33	5754-33	5754-33	5754-33
10	O-RING, COVER	136N	136N	153N	153N	153N
11	CHECK COVER	952-3XL2-010F	952-3XL2-010F	954-3XL2-010F	954-3XL2-010F	954-3XL2-010F
12	POPPET ASSY.	952-300S	952-300S	954-300S	954-300S	954-300S
13	NO.2 CHECK SPRING	952-33	952-33	554-33	554-33	554-33
14	TEST COCK	18-860	18-860	14-860	14-860	14-860
15	O-RING, RELIEF VALVE SEAT	WK-019N	WK-019N	029N	029N	029N
16	RELIEF VALVE SEAT	972-18	972-18	974-18	974-18	974-18
17	RELIEF VALVE SPRING	972A-33	972A-33	974A-33	974A-33	974A-33
18	RELIEF VALVE RETAINING BOLT	972-11A	972-11A	604B-11	604B-11	604B-11
19	RELIEF VALVE SEAL RING RETAINER	972-14	972-14	552-14	552-14	552-14
20	RELIEF VALVE SEAL RING	972-12S	972-12S	974-12S	974-12S	974-12S
21	RELIEF VALVE LOWER PLUNGER	972-34A	972-34A	974-34A	974-34A	974-34A
22	RELIEF VALVE DIAPHRAGM	972-43	972-43	974-43	974-43	974-43
23	RELIEF VALVE UPPER PLUNGER	972-34	972-34	974-34	974-34	974-34
24	O-RING, RELIEF VALVE STEM	WK-111N	WK-111N	121N	121N	121N
25	RELIEF VALVE STEM ASSY.	972-50S	972-50S	974-50S	974-50S	974-50S
26	RELIEF VALVE COVER BOLT	554-11A	554-11A	554-11A	554-11A	554-11A
	RV. & CHECK SEAT TOOL	972-SEATTOOL		974-SEATTOOL		
27	RELIEF VALVE COVER	972-3AXL2-010F	972-3AXL2-010F	974-3AXL2-010F	974-3AXL2-010F	974-3AXL2-010F

\*INTEGRAL SUPERVISORY SWITCH OPTION AVAILABLE

## Repair Kit, Complete

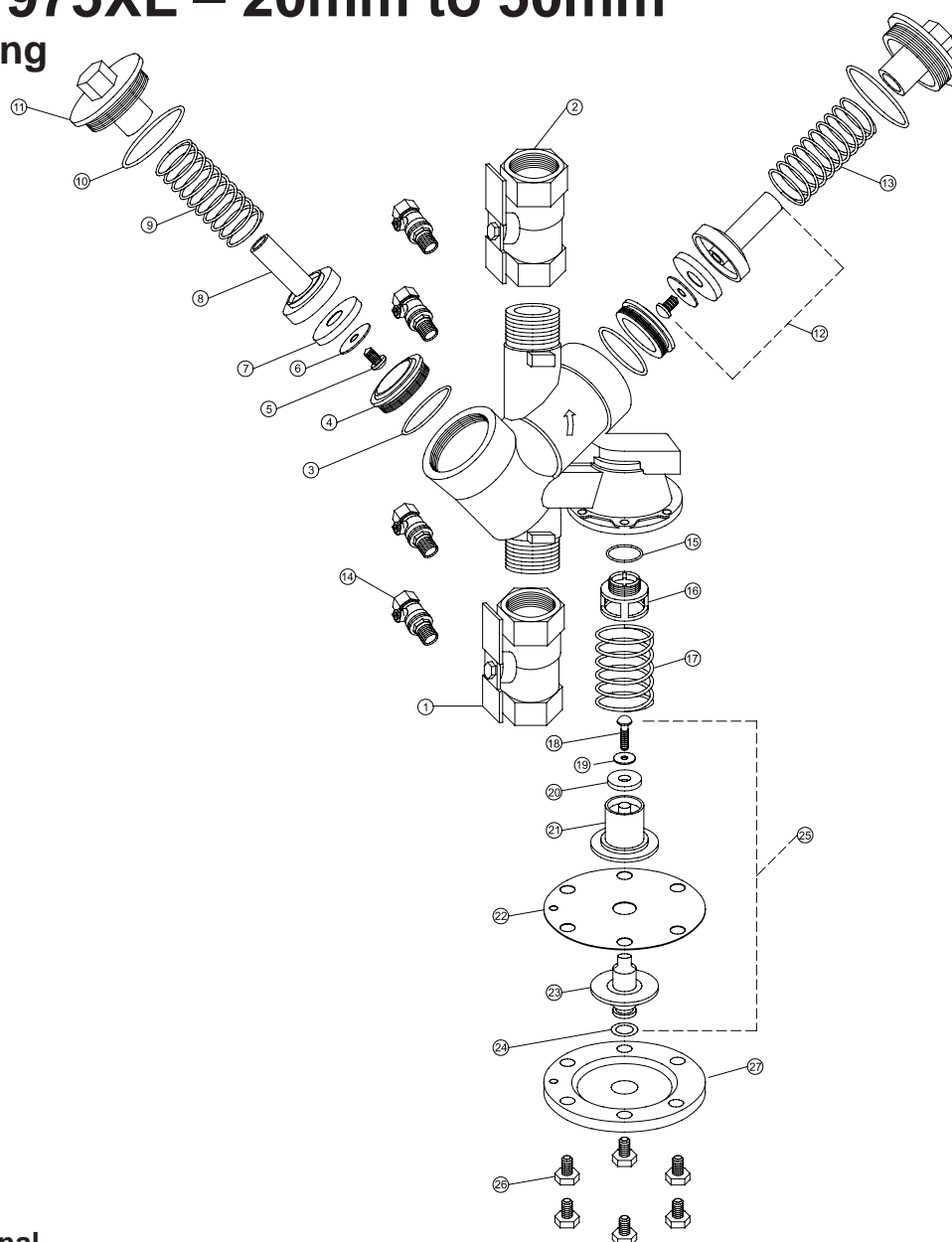
RK34-975XL Size 20mm, & 25mm Only			RK114-975XL Size 32mm, 40mm, 50mm Only		
Part Number	Qty.	Description	Part Number	Qty.	Description
952-12S	2	SEAL RING	954-12S	2	SEAL RING
972-12S	1	RELIEF VALVE SEAL RING	974-12S	1	RELIEF VALVE SEAL RING
972-43	1	DIAPHRAGM	974-43	1	DIAPHRAGM
136N	2	O-RING, COVER	153N	2	O-RING, COVER
WK-111N	1	O-RING, RELIEF VALVE STEM	121N	1	O-RING, RELIEF VALVE STEM
972-33	1	NO. 1 CHECK SPRING	5754-33	1	NO. 1 CHECK SPRING
952-33	1	NO.2 CHECK SPRING	554-33	1	NO. 2 CHECK SPRING
972A-33	1	RELIEF VALVE SPRING	974A-33	1	RELIEF VALVE SPRING

## Repair Kit, Rubber

RK34-975XLR Size 20mm, & 25mm Only			RK114-975XLR Size 32mm, 40mm, 50mm Only		
Part Number	Qty.	Description	Part Number	Qty.	Description
952-12S	2	SEAL RING	954-12S	2	SEAL RING
972-12S	1	RELIEF VALVE SEAL RING	974-12S	1	RELIEF VALVE SEAL RING
972-43	1	DIAPHRAGM	974-43	1	DIAPHRAGM
136N	2	O-RING, COVER	153N	2	O-RING, COVER
WK-111N	1	O-RING, RELIEF VALVE STEM	121N	1	O-RING, RELIEF VALVE STEM

# MODEL 975XL – 20mm to 50mm

## Parts Drawing



### Repair Kit, Internal

RK34-975XLC      Size 20mm, & 25mm Only			RK114-975XLC      Size 32mm, 40mm, 50mm Only		
Part Number	Qty.	Description	Part Number	Qty.	Description
136N	2	O-RING, COVER	153N	2	O-RING, COVER
952-300S	2	POPPET ASSY	954-300S	2	POPPET ASSY
972-33	1	NO. 1 CHECK SPRING	5754-33	1	NO. 1 CHECK SPRING
952-33	1	NO. 2 CHECK SPRING	554-33	1	NO. 2 CHECK SPRING
972-50S	1	RELIEF VALVE STEM ASSY	974-50S	1	RELIEF VALVE STEM ASSY
972A-33	1	RELIEF VALVE SPRING	974A-33	1	RELIEF VALVE SPRING
RK34-975XLSK	1	SEAT REPAIR KIT	RK114-975XLSK	1	SEAT REPAIR KIT

### Repair Kit, Seat

RK34-975XLSK      Size 20mm & 25mm Only			RK114-975XLSK      Size 32mm, 40mm, 50mm Only		
Part Number	Qty.	Description	Part Number	Qty.	Description
952-18S	2	CHK SEAT, 20mm XL	954-18S	2	CHK SEAT, 32mm XL
WK-125N	2	O-RING, CHECK SEAT	136N	2	O-RING, CHECK SEAT
972-18	1	CU SEAT, 20mm XL	974-18	1	CU SEAT, 32mm 975XL
WK-019N	1	O-RING, RELIEF VALVE SEAT	029N	1	O-RING, RELIEF VALVE SEAT

For more information please visit [www.lwgzurn.com](http://www.lwgzurn.com)